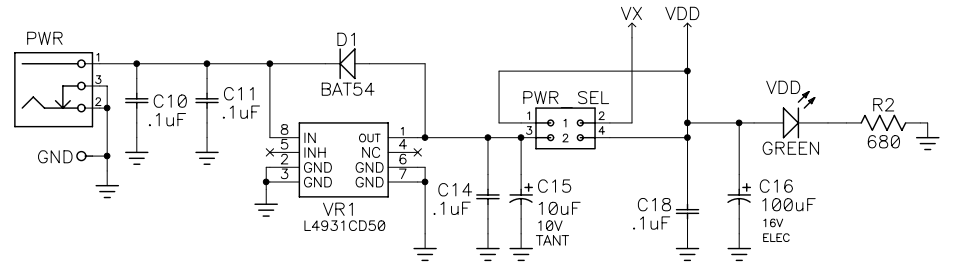
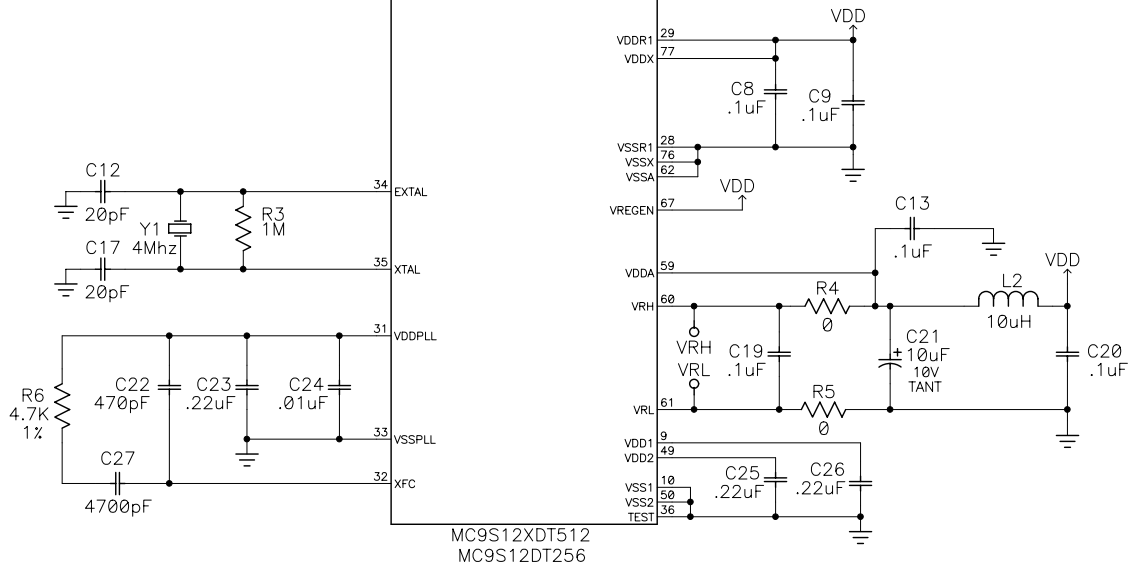
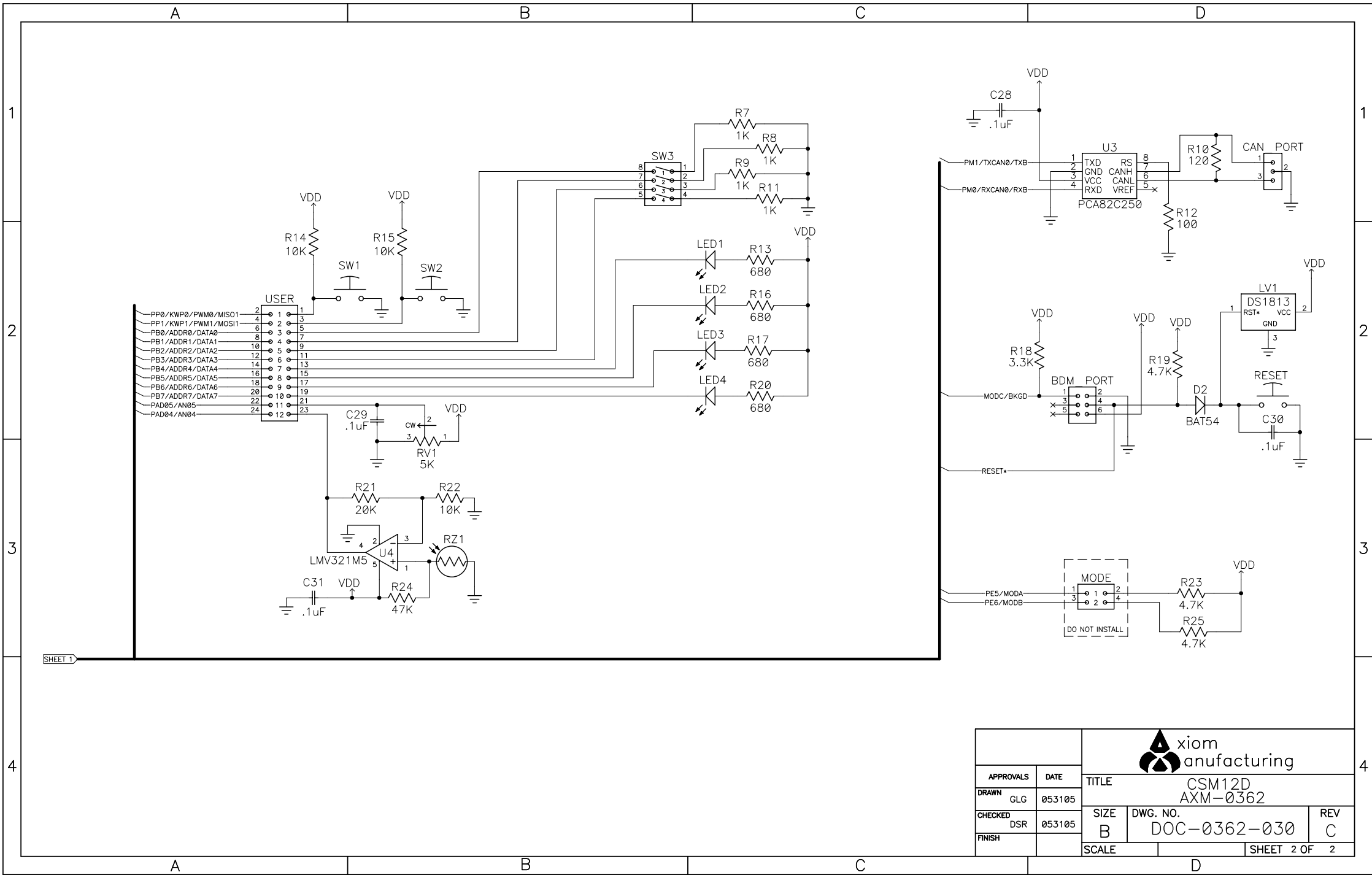


NOTE: EXPANDED BUS FUNCTION IS NOT SUPPORTED BY MC9S12XDT512




MC9S12XDT512  
MC9S12DT256

|           |      |        |              |              |
|-----------|------|--------|--------------|--------------|
|           |      | TITLE  |              | REV          |
|           |      | CSM12D |              |              |
| APPROVALS | DATE | SIZE   | DWG. NO.     | SHEET 1 OF 2 |
| DRAWN     | GLG  | B      | DOC-0362-030 |              |
| CHECKED   | DSR  | SCALE  |              |              |
| FINISH    |      |        |              |              |



SHEET 1

|           |            |  |              |     |  |
|-----------|------------|--|--------------|-----|--|
|           |            | <br>xiom<br>manufacturing |              |     |  |
| APPROVALS | DATE       | TITLE  |              |     |  |
| DRAWN     | GLG 053105 | CSM12D<br>AXM-0362   |              |     |  |
| CHECKED   | DSR 053105 | SIZE   | DWG. NO.     | REV |  |
| FINISH    |            | B  | DOC-0362-030 | C   |  |
|           |            | SCALE  | SHEET 2 OF 2 |     |  |