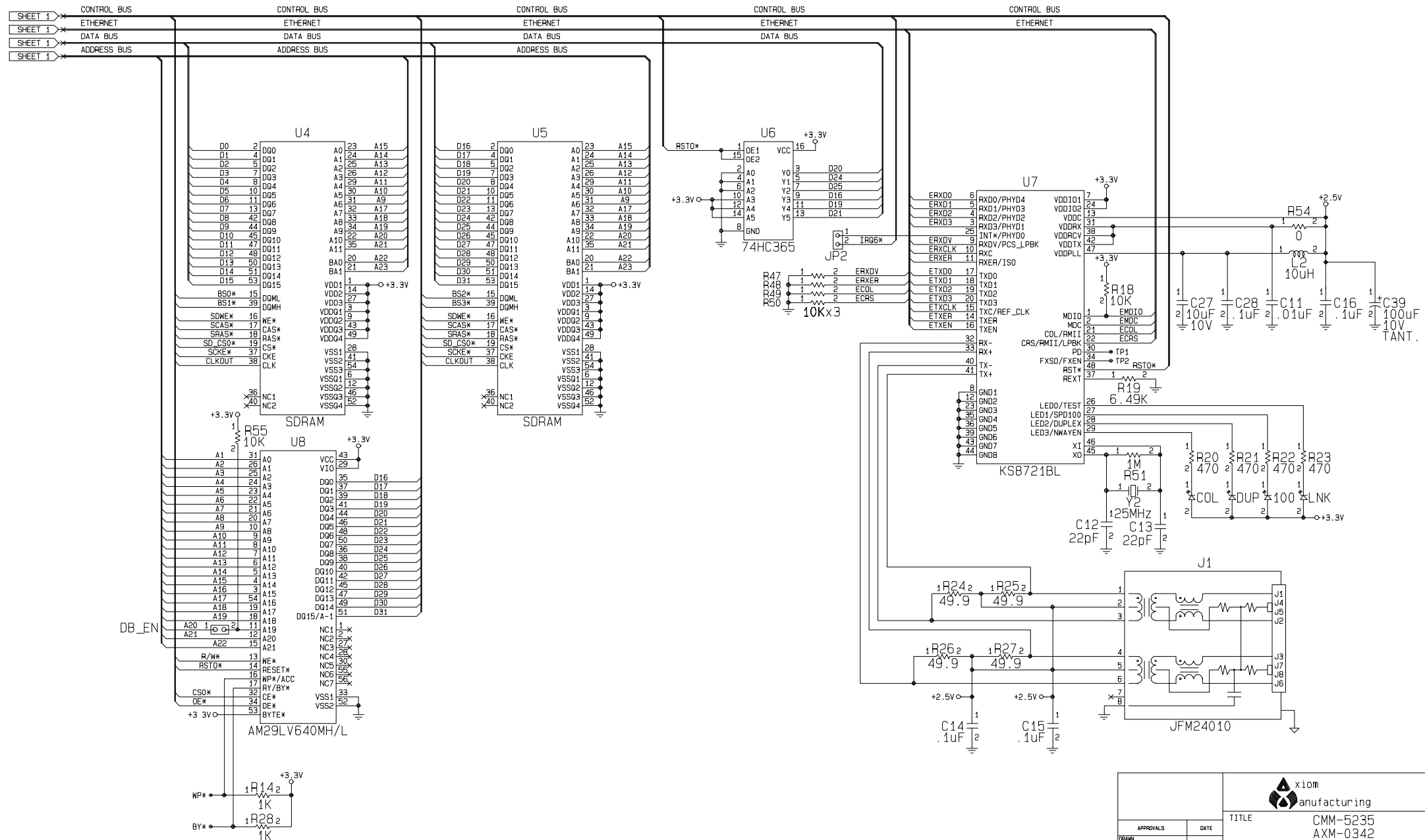
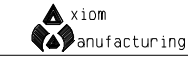


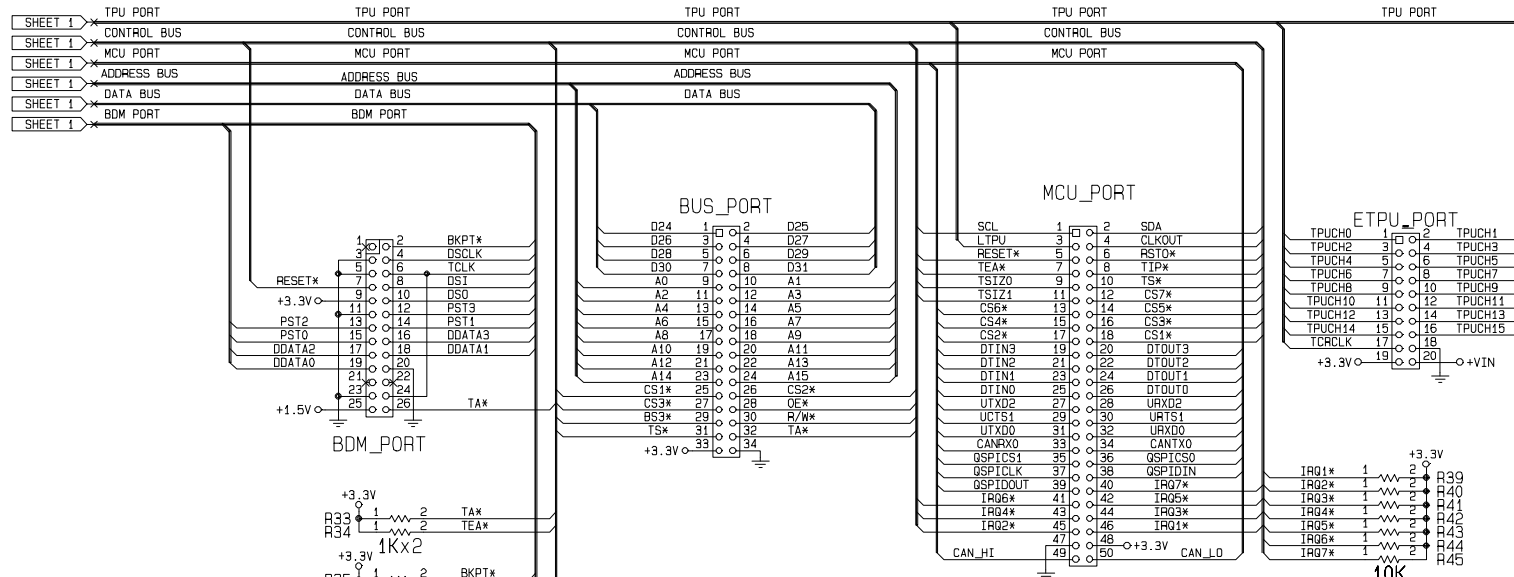
APPROVALS		DATE	TITLE	
DRAWN	GLM	071904	CMM-5235 AXM-0342	
CHECKED	RDF	071904	SIZE	DWG NO.
FINISH			D	AX-SCH-0316
			SCALE	REV
				C
				SHEET 1 OF 3



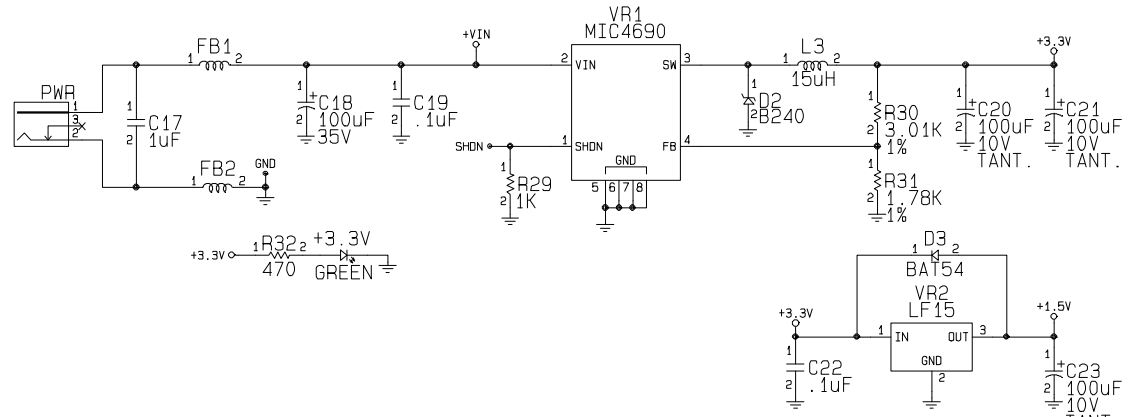
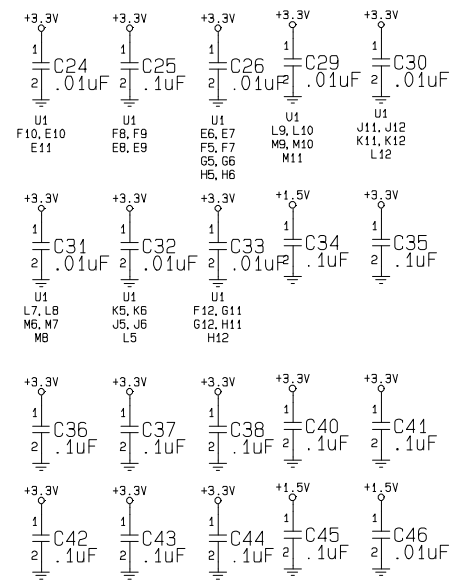
APPROVALS		DATE		TITLE	
DRAWN	GLM	071904	SIZE	DWG NO.	CMM-5235
CHECKED	RDF	071904	SCALE	AX-SCH-0316	AXM-0342
FINISH				REV	C
				SHEET	2 OF 3



D SHEET 1 TPU PORT CONTROL BUS MCU PORT ADDRESS BUS DATA BUS BDM PORT



BYPASS CAPACITORS



APPROVALS		DATE	TITLE	
DRAWN	GLM	071904	CMM-5235 AXM-0342	
CHECKED	RDF	071904	SIZE	REV C
FINISH			SCALE	SHEET 3 OF 3