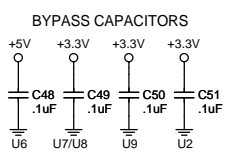
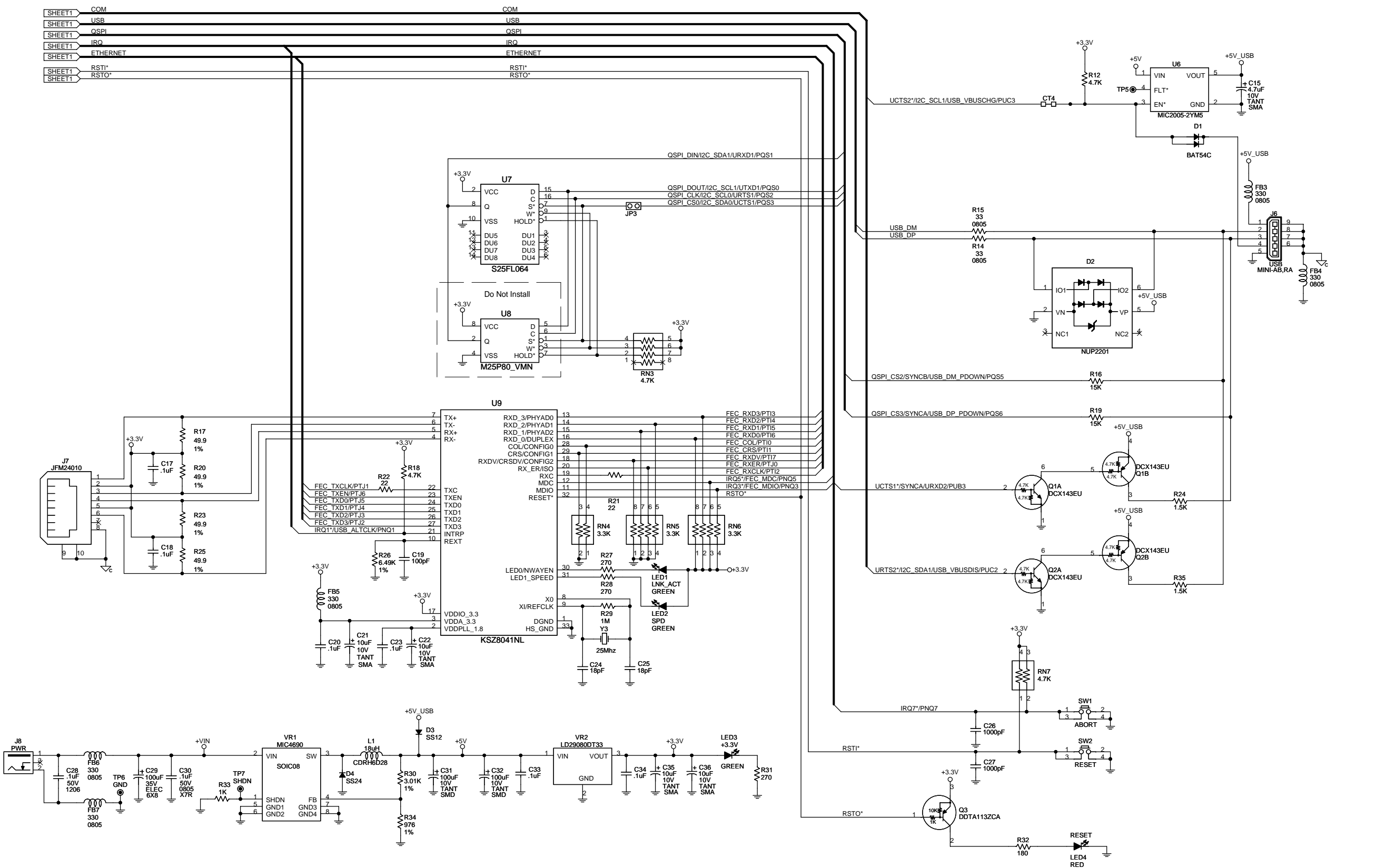


Approvals		Date	Title
Drawn	GLM	040910	AXM-0515 CMM-52259
Checked	DSR	040910	Document Number
Finish			DOC-0515-030
Date: Friday, April 09, 2010		Sheet	1 of 2





		Title	
		AXM-0515 CMM-52259	
Drawn	GLM	Date	040910
Checked	DSR	Date	040910
Finish		Date	Friday, April 09, 2010
Size	C	Document Number	DOC-0515-030
Rev	A	Sheet	2 of 2