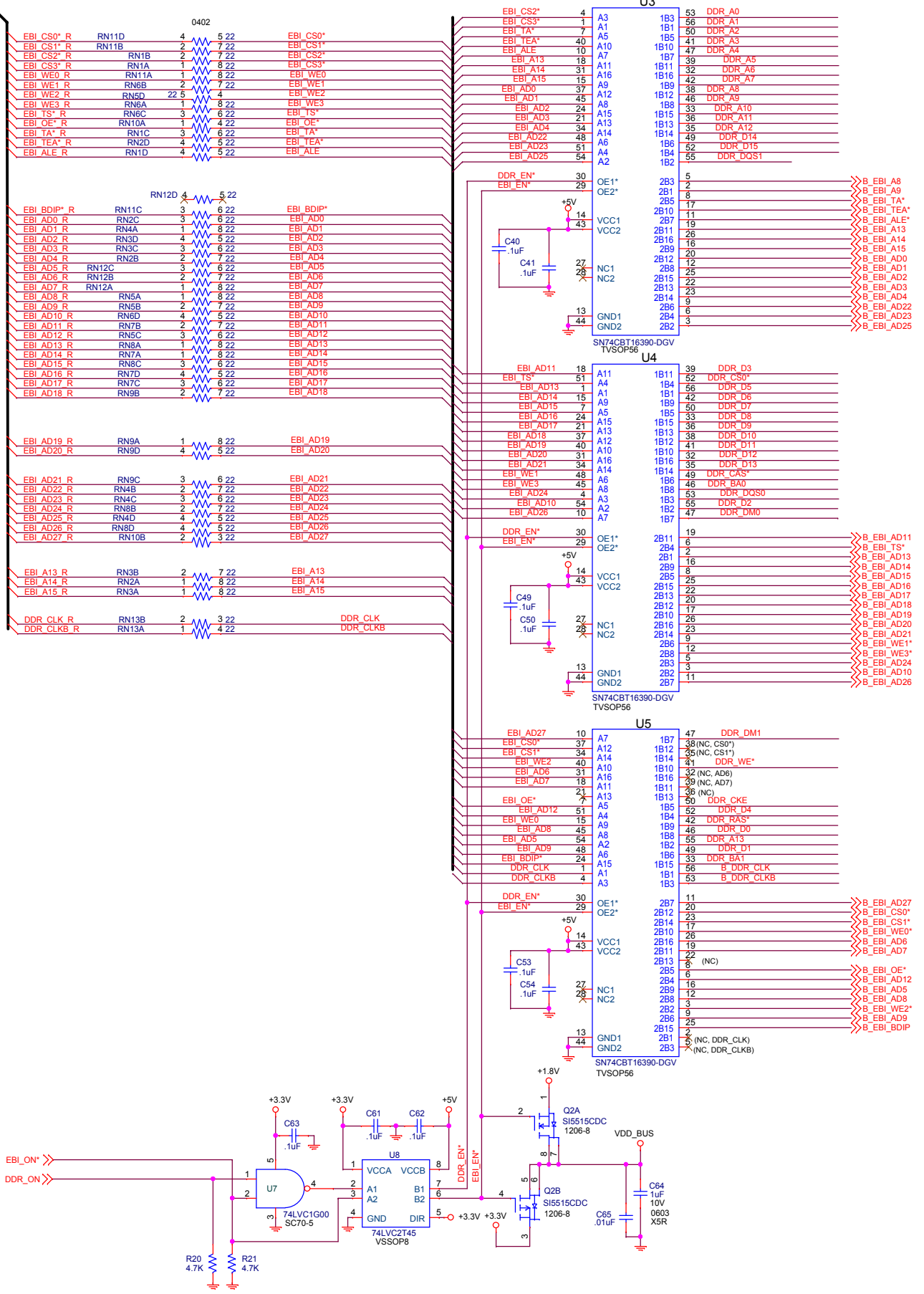


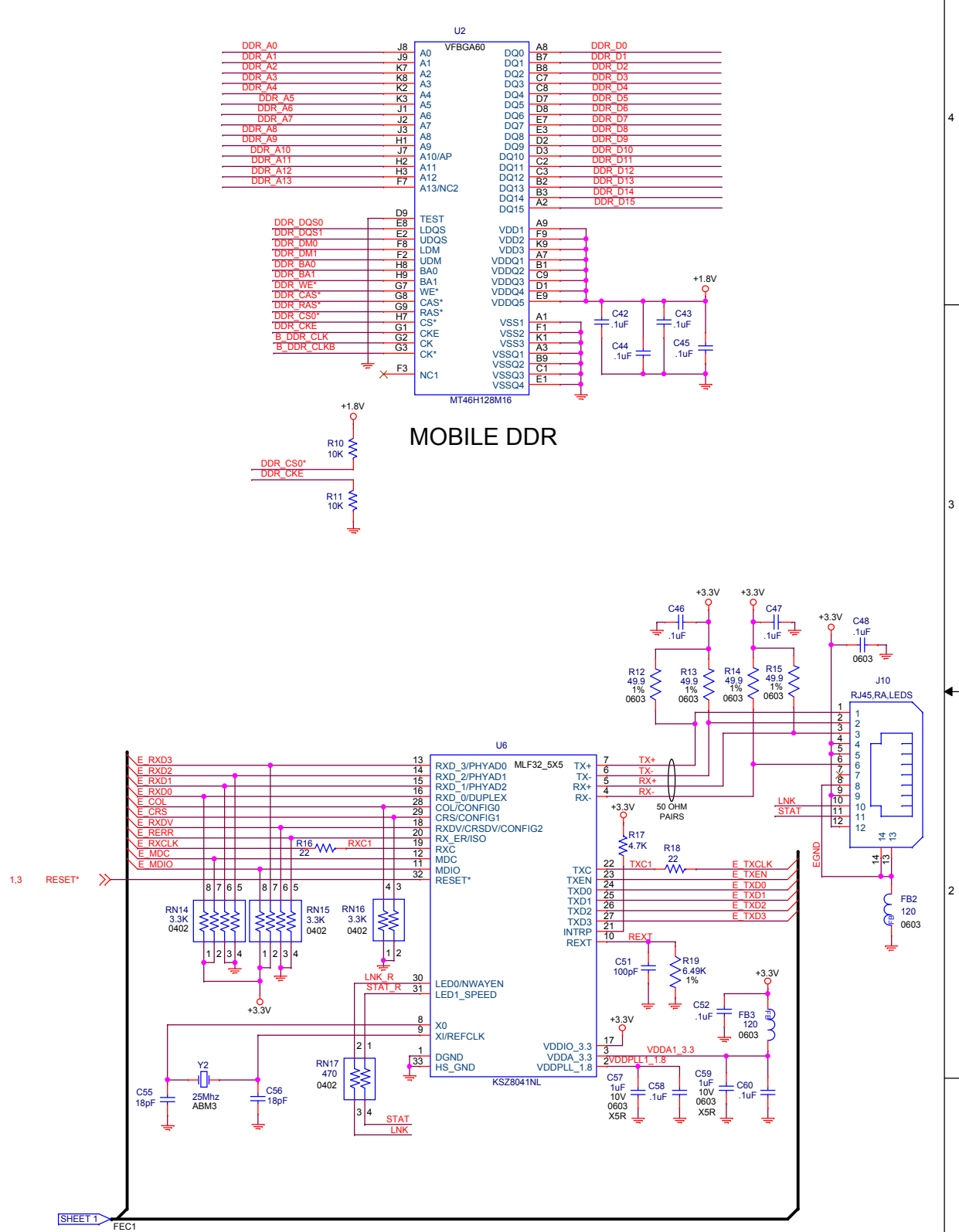
- NOTES (UNLESS OTHERWISE SPECIFIED):
1. ALL RESISTORS ARE 0402 SIZE, 5% TOLERANCE.
 2. ALL RESISTOR NETWORKS ARE 0402 SIZE, 5% TOLERANCE.
 3. ALL CAPACITORS ARE 0402 SIZE, X7R, 10% TOLERANCE.
 4. ALL CAPACITORS WITH VALUE 100pF AND BELOW ARE NP0/COG, 5% TOLERANCE.
 5. ALL TBD COMPONENTS ARE DO NOT INSTALL.
 6. ALL JUMPERS ARE 2MM.

Approvals		Date	Title	
Drawn	GLG	011213	MM-5675 AXM-0591	
Checked	DSR	011213	Size	Document Number
Finish			C	DOC-0591-030
Date: Monday, July 13, 2015			Sheet	1 of 4

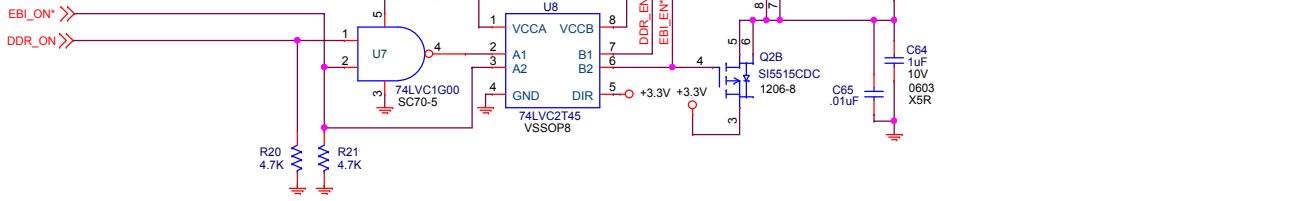
SHEET1



MUX

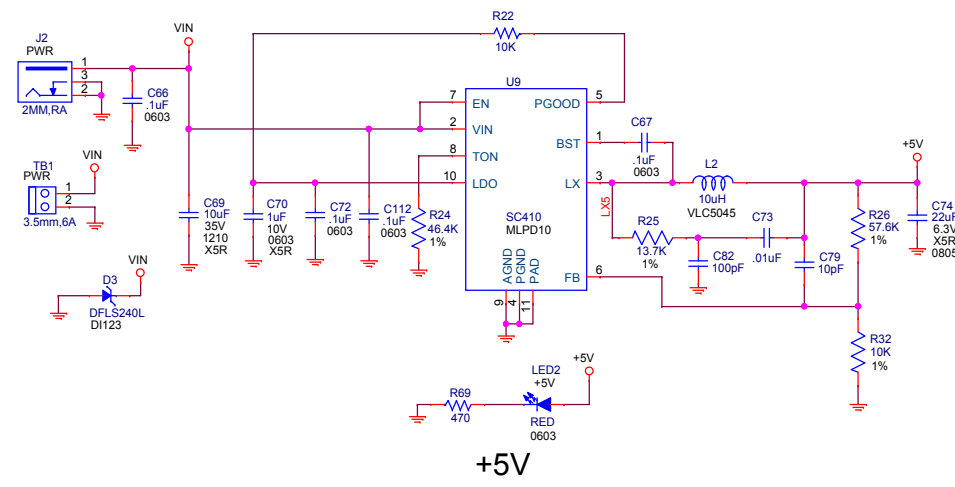


ETHERNET

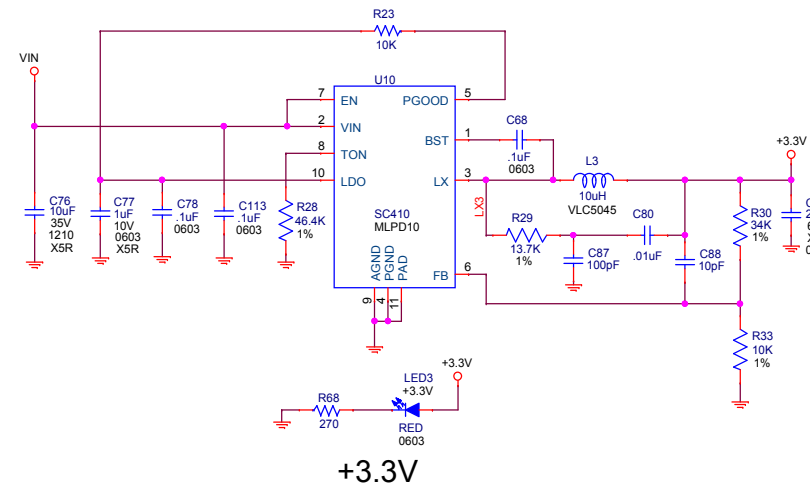


Approvals		Date	Title	
Drawn	GLG	011213	CMM-5675 AXM-0591	
Checked	DRS	011213	Size	Document Number
Finish			C	DOC-0591-030
Date: Monday, July 13, 2015			Sheet	2 of 4

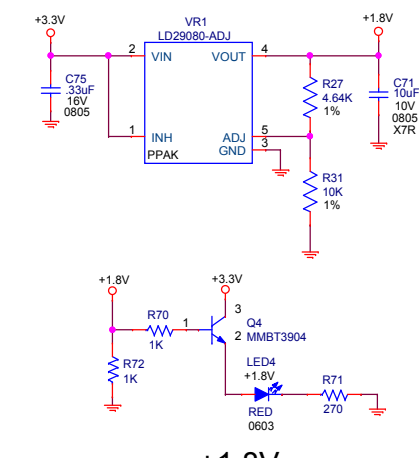




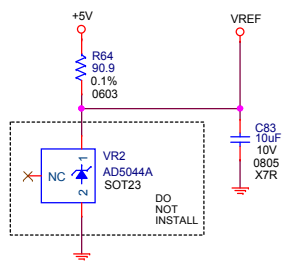
+5V



+3.3V

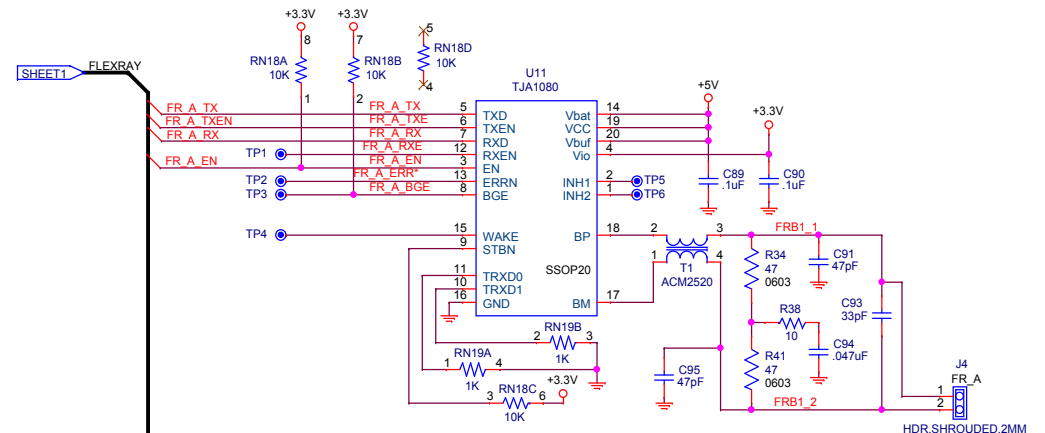


+1.8V

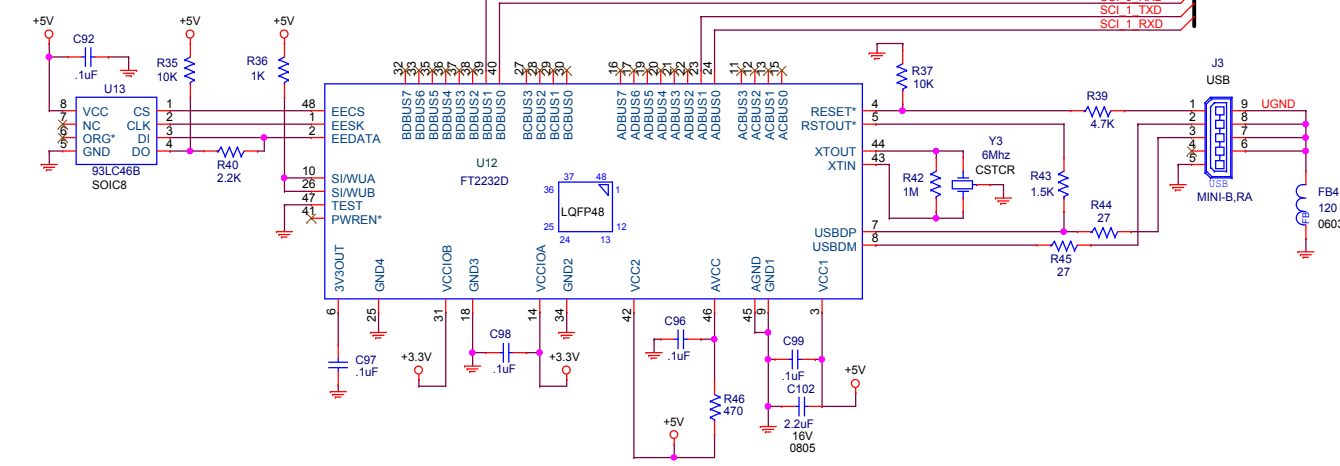


VREF

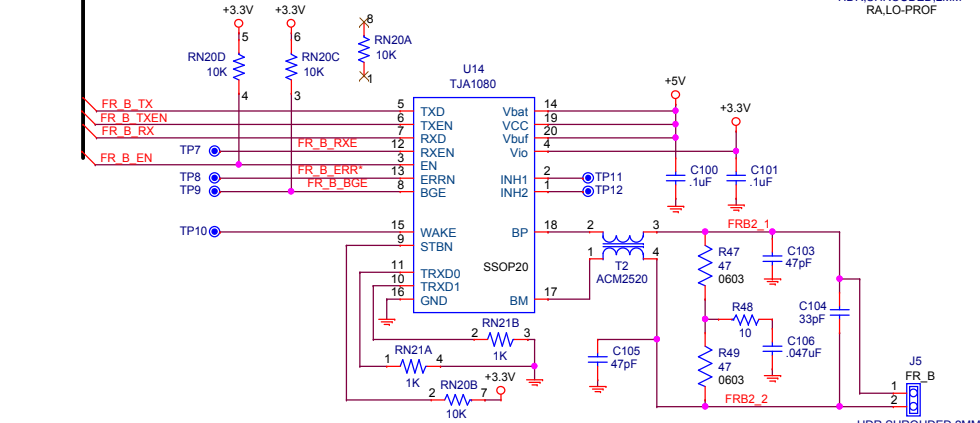
POWER SUPPLY



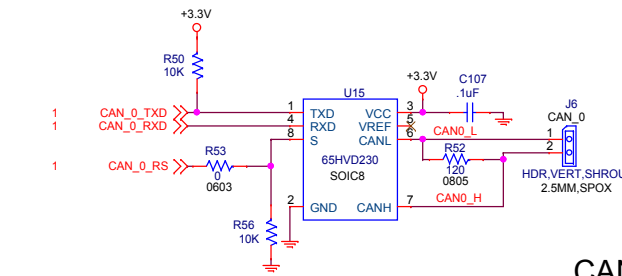
FLEXRAY



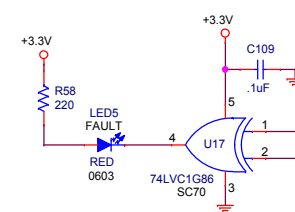
UART



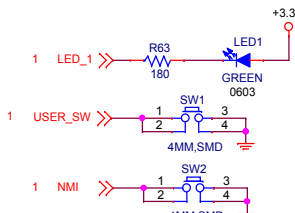
JTAG



CAN



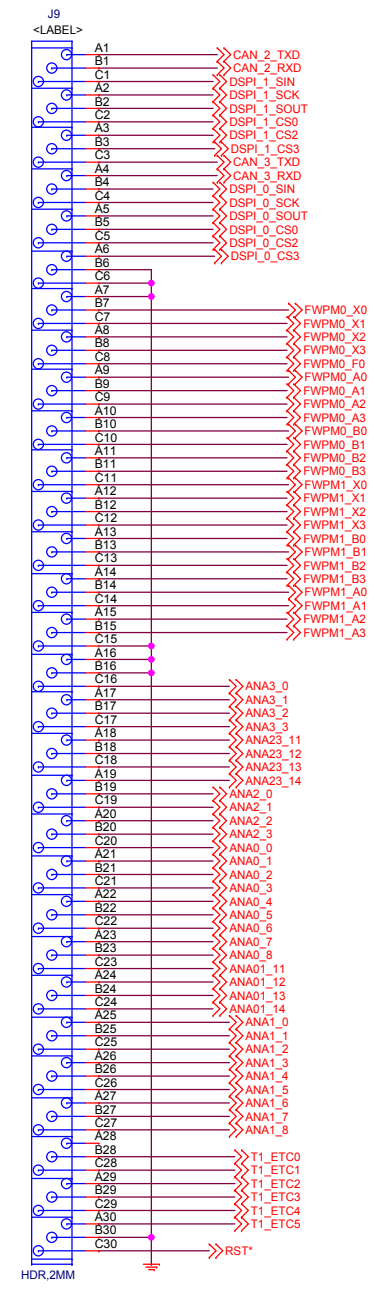
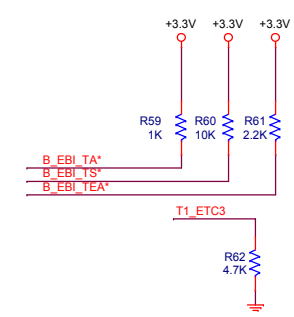
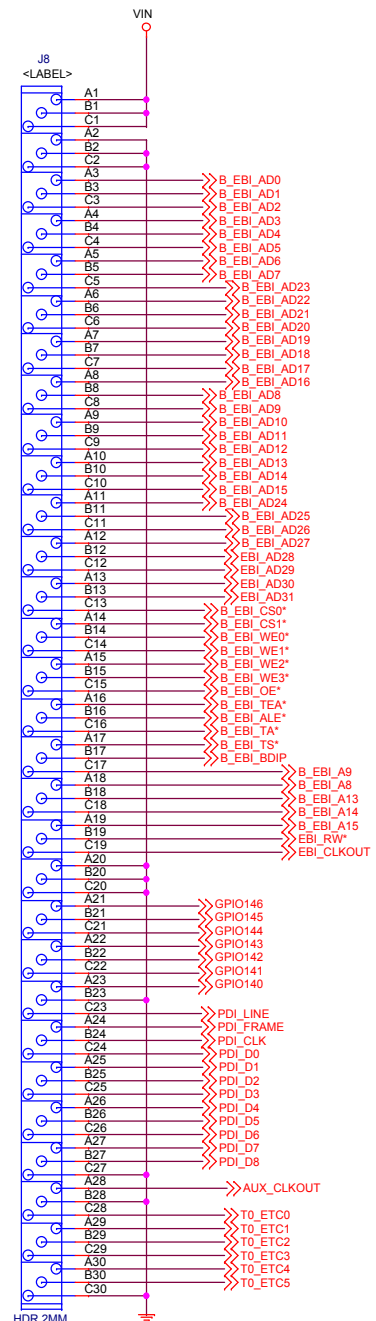
FAULT



USER INPUT

Approvals		Date	Title	
Drawn	GLG	011213	CMM-5675 AXM-0591	
Checked	DSR	011213	Size	Document Number
Finish			C	DOC-0591-030
Date: Monday, July 13, 2015			Sheet	3 of 4





Approvals		Date	Title	
Drawn	GLG	011213	CMM-5675	
Checked	DSR	011213	Size	Document Number
Finish			C	DOC-0591-030
Date: Monday, July 13, 2015			Sheet	4 of 4
			Rev	A