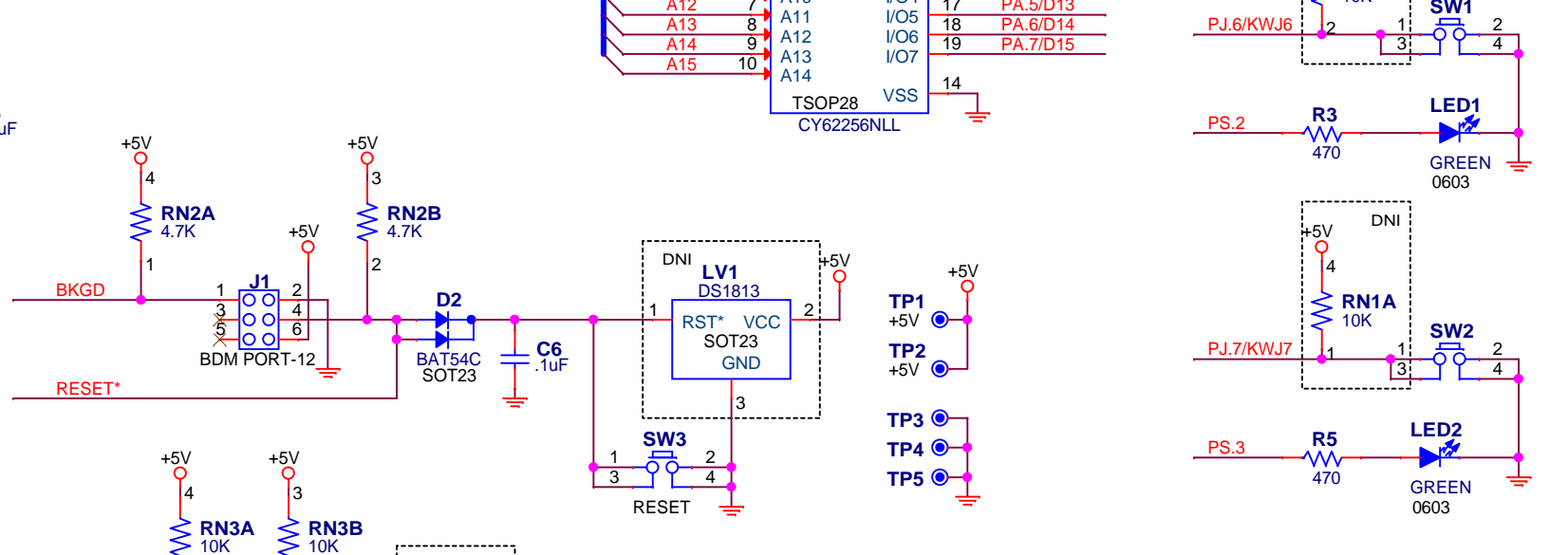
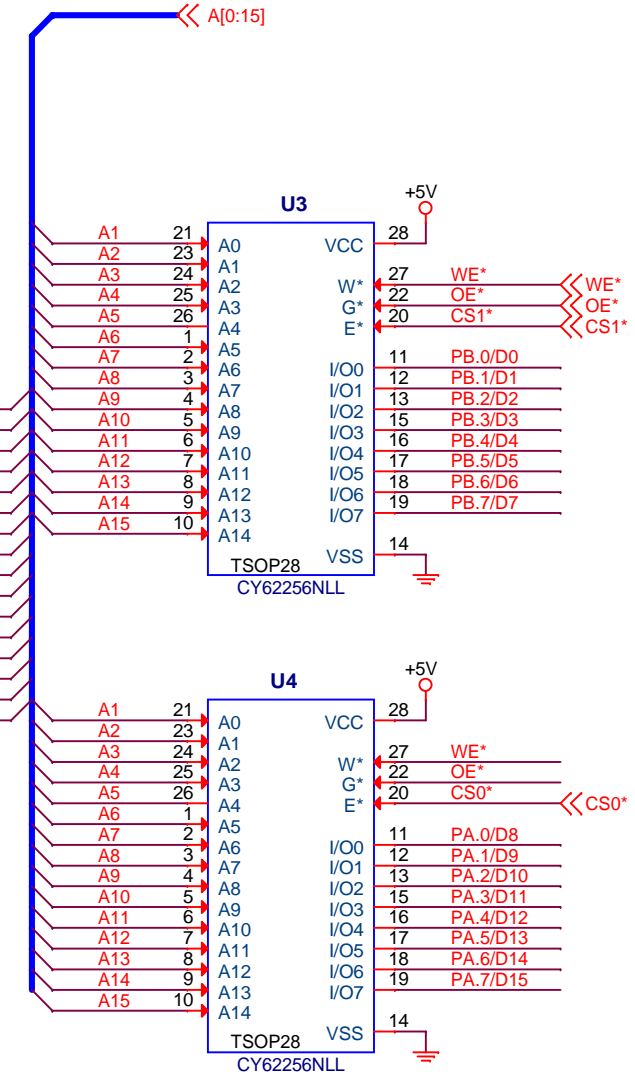
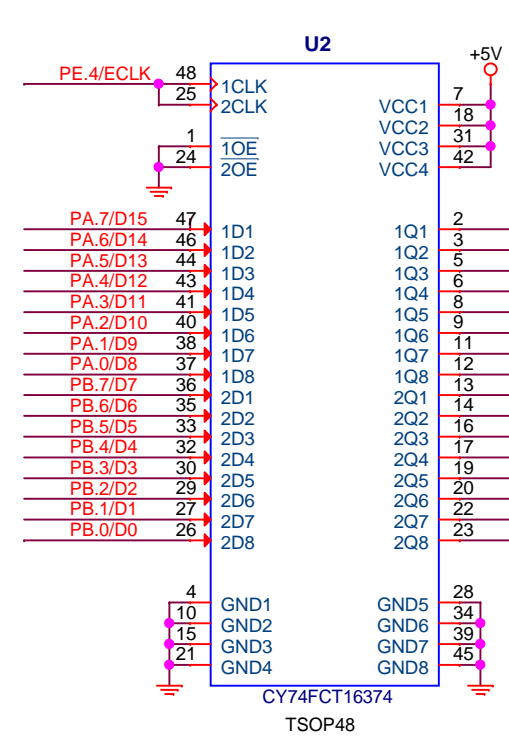
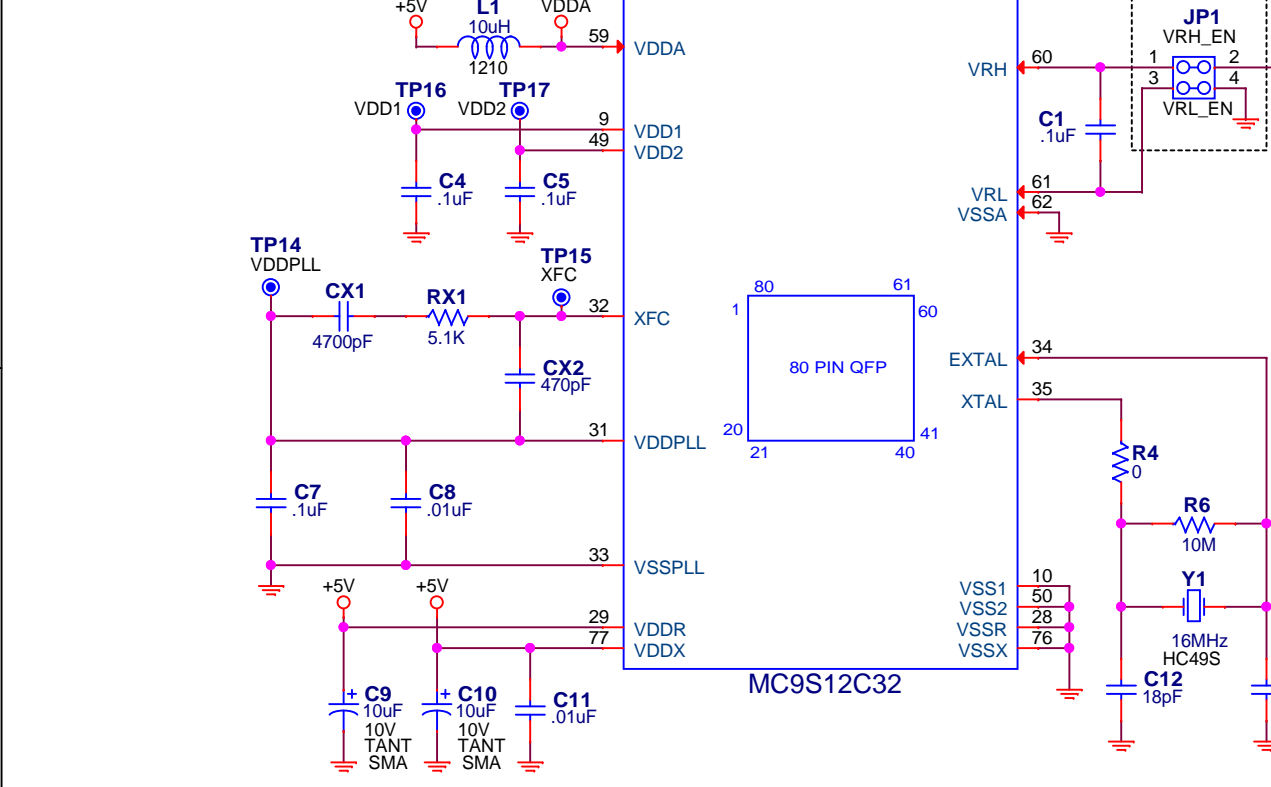
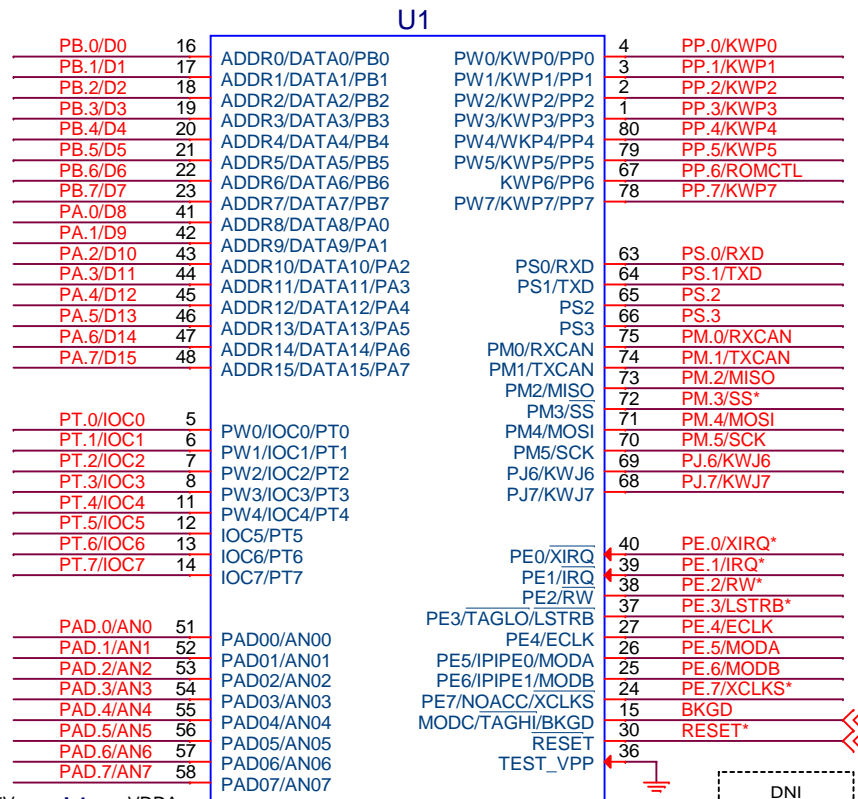
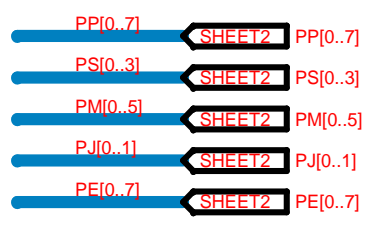
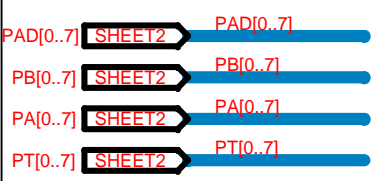
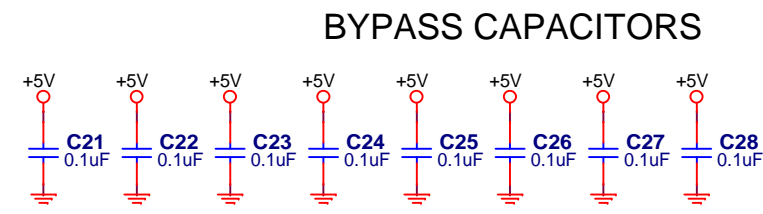
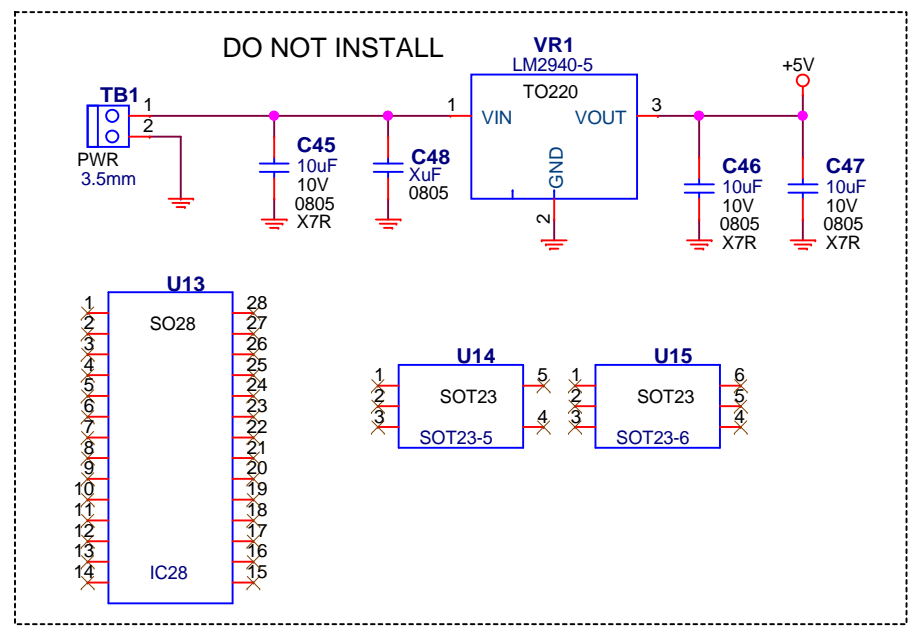
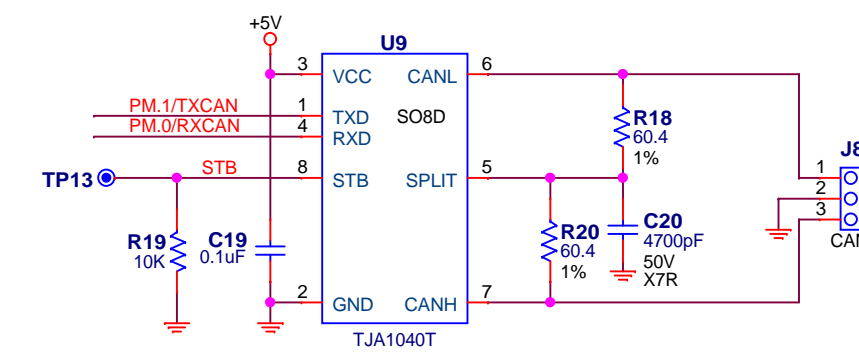
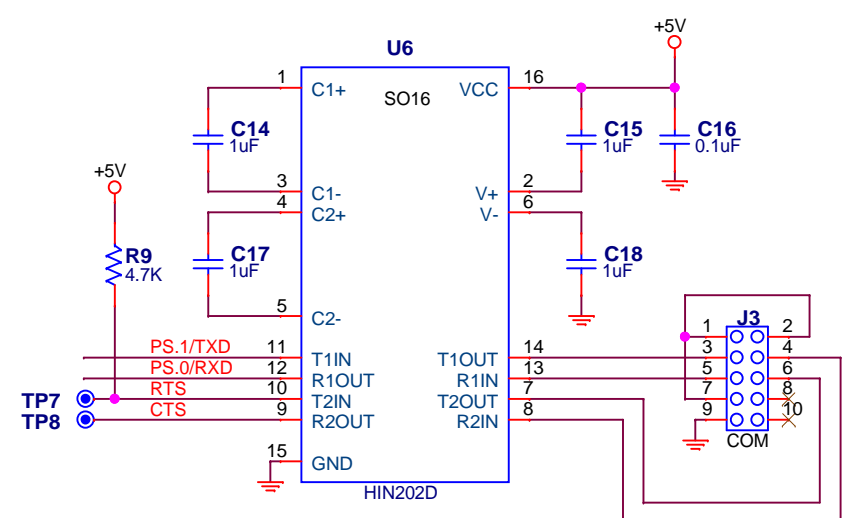
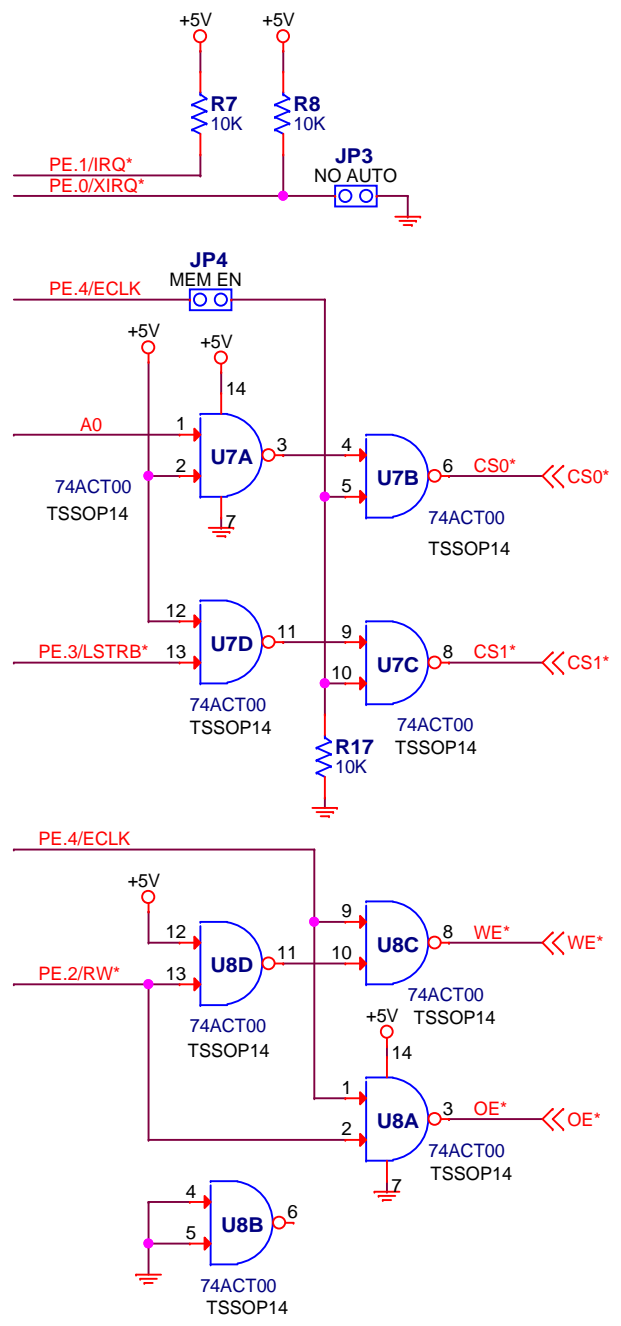
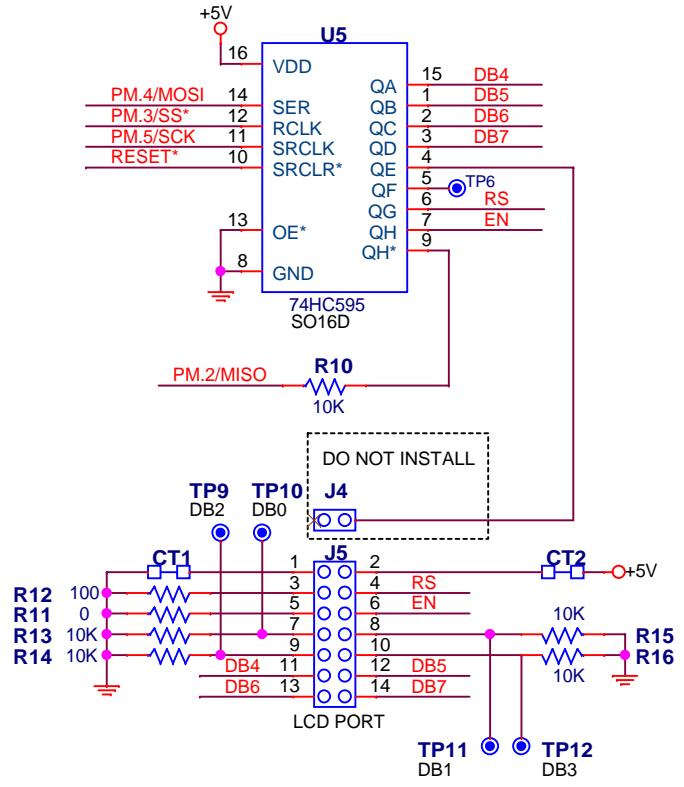
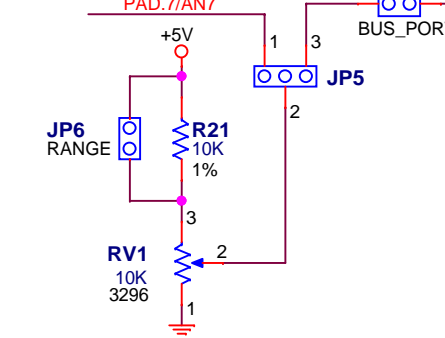
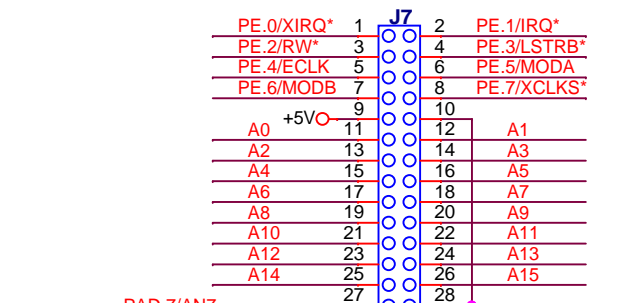
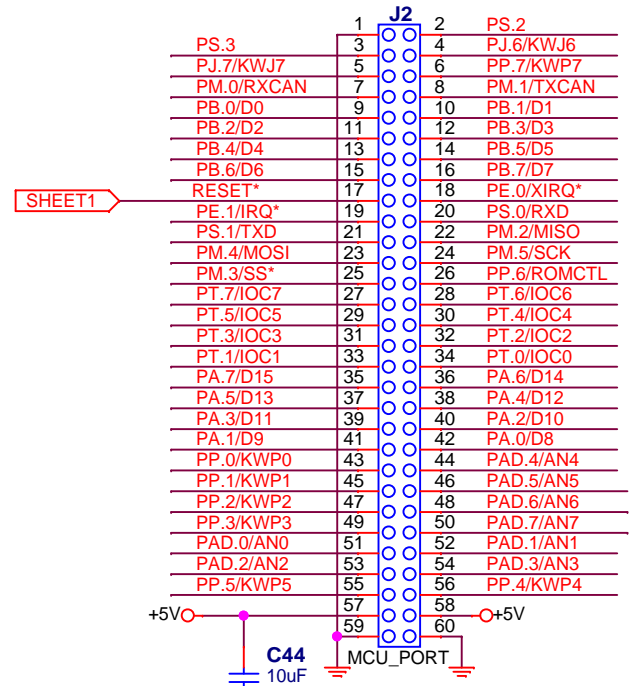
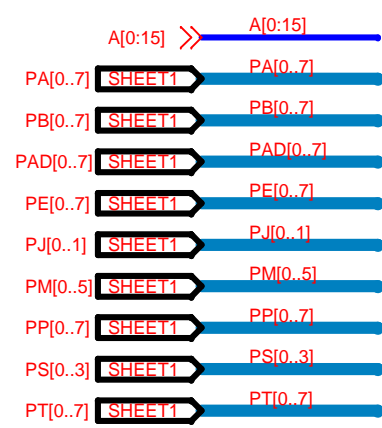


NOTES:  
ALL RES & CAPS 0603 UNLESS OTHERWISE NOTED



Approvals		Date	Title	
Drawn	GLM	061314	CMLU-12C32 AXM-0655	
Checked	DSR	061314	Size	Document Number
Finish			B	DOC-0655-030
Date: Wednesday, April 01, 2015			Sheet	1 of 3
			Rev	B1

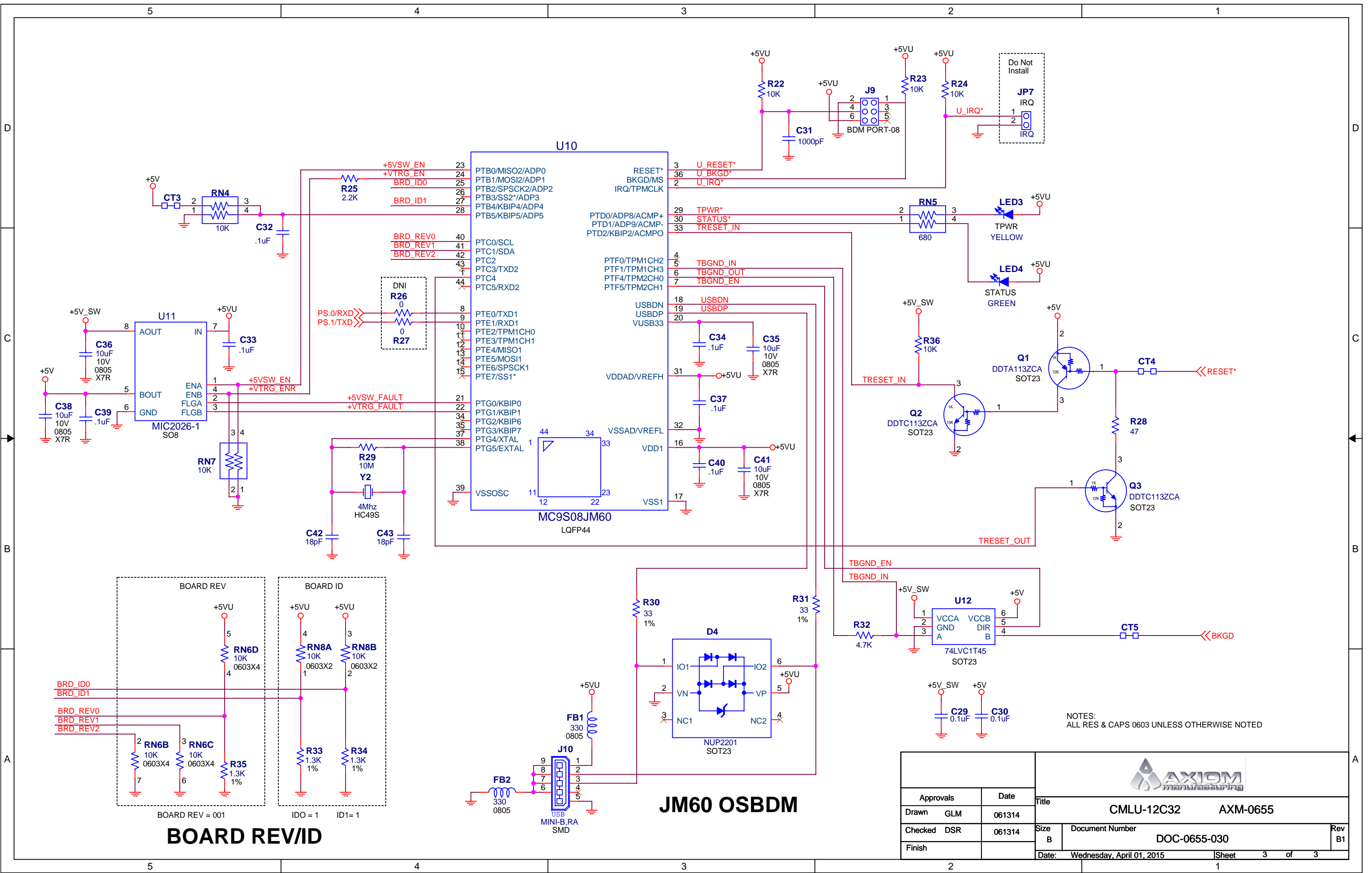




NOTES:  
 ALL RES & CAPS 0603 UNLESS OTHERWISE NOTED

Approvals		Date	Title	
Drawn	GLM	061314	CMLU-12C32 AXM-0655	
Checked	DSR	061314	Size B	Document Number
Finish			DOC-0655-030	
Date: Wednesday, April 01, 2015			Sheet	2 of 3
				Rev B1





NOTES:  
ALL RES & CAPS 0603 UNLESS OTHERWISE NOTED

		Title	
		CMLU-12C32 AXM-0655	
Approvals	Date	Size B	Document Number DOC-0655-030
Drawn GLM	061314		
Checked DSR	061314	Date: Wednesday, April 01, 2015	Sheet 3 of 3
Finish			Rev B1

### BOARD REV/ID