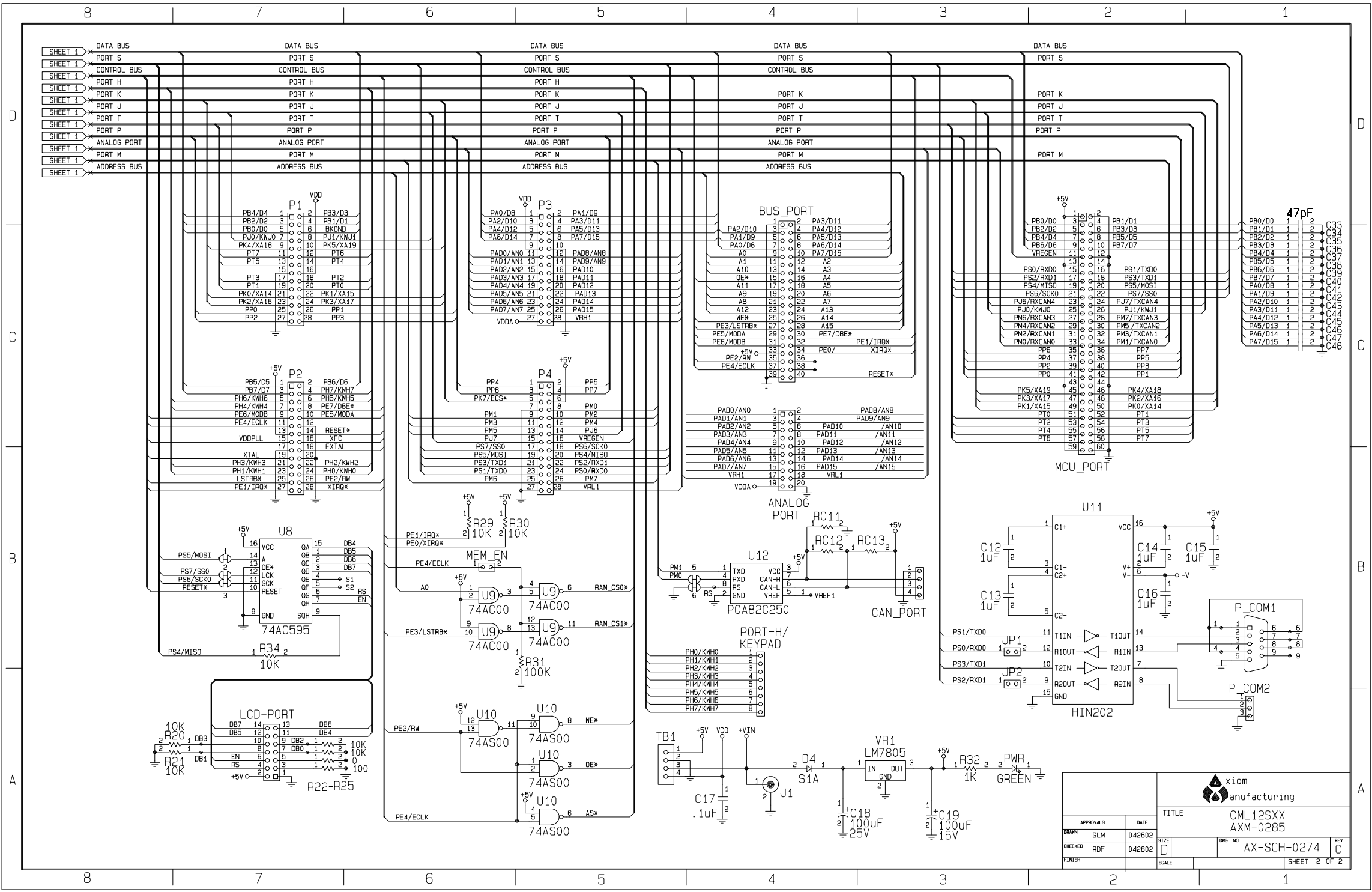


MC9S12DP256

FB0/D0	24	A0/D0/PB0	9	PT0
FB1/D1	25	A1/D1/PB1	10	PT1
FB2/D2	26	A2/D2/PB2	11	PT2
FB3/D3	27	A3/D3/PB3	12	PT3
FB4/D4	28	A4/D4/PB4	13	PT4
FB5/D5	29	A5/D5/PB5	14	PT5
FB6/D6	30	A6/D6/PB6	15	PT6
FB7/D7	31	A7/D7/PB7	16	PT7
PA0/DB	57	AB/D8/PA0	4	PP0
PA1/D9	58	A9/D9/PA1	3	PP1
PA2/D10	59	A10/D10/PA2	2	PP2
PA3/D11	60	A11/D11/PA3	1	PP3
PA4/D12	61	A12/D12/PA4	112	PP4
PA5/D13	62	A13/D13/PA5	111	PP5
PA6/D14	63	A14/D14/PA6	110	PP6
PA7/D15	64	A15/D15/PA7	109	PP7
PE0/XIRQ*	56	PE0/XIRQ*	67	PAD0/ANO
PE1/IRQ*	55	PE1/IRQ*	69	PAD1/AN1
PE2/R*	54	PE2/R*	71	PAD2/AN2
PE3/STRB*	53	PE3/STRB*	73	PAD3/AN3
PE4/ECLK	39	PE4/ECLK	75	PAD4/AN4
PE5/MDB	38	PE5/MDB	77	PAD5/AN5
PE6/MDB	37	PE6/MDB	79	PAD6/AN6
PE7/DBE*	36	PE7/DBE*	81	PAD7/AN7
BKSNL	23	BKSNL	68	PAD8/AN8
RESET*	42	RESET*	70	PAD9/AN9
TEST	48	TEST	72	PAD10/AN10
PS0/RXD0	89	PS0/RXD0	74	PAD11/AN11
PS1/TXD0	90	PS1/TXD0	76	PAD12/AN12
PS2/RXD1	91	PS2/RXD1	78	PAD13/AN13
PS3/TXD1	92	PS3/TXD1	80	PAD14/AN14
PS4/MISO	93	PS4/MISO	82	PAD15/AN15
PS5/MOSI	94	PS5/MOSI	105	PM0/RXCAN0
PS6/SCK0	95	PS6/SCK0	104	PM1/TXCAN0
PS7/SS0	96	PS7/SS0	103	PM2/RXCAN1
PH0/KWH0	52	PH0/KWH0	102	PM3/TXCAN1
PH1/KWH1	51	PH1/KWH1	101	PM4/RXCAN2
PH2/KWH2	50	PH2/KWH2	100	PM5/TXCAN2
PH3/KWH3	49	PH3/KWH3	99	PM6/RXCAN3
PH4/KWH4	35	PH4/KWH4	87	PM7/TXCAN3
PH5/KWH5	34	PH5/KWH5	98	PJ6/RXCAN4
PH6/KWH6	33	PH6/KWH6	98	PJ7/TXCAN4
PH7/KWH7	32	PH7/KWH7		
PK0/XA14	8	PK0/XA14		
PK1/XA15	7	PK1/XA15		
PK2/XA16	6	PK2/XA16		
PK3/XA17	5	PK3/XA17		
PK4/XA18	20	PK4/XA18		
PK5/XA19	19	PK5/XA19		
PK7/ECS*	108	PK7/ECS*		
PJ0/KWJ0	22	PJ0/KWJ0		
PJ1/KWJ1	21	PJ1/KWJ1		

APPROVALS		DATE	TITLE	
DRAWN	GLM	042602	CML12SXX	
CHECKED	PDF	042602	AXM-0285	
DESIGNED	DF		SIZE	AX-SCH-0274
DATE			DWG NO	
			REV	C
			SCALE	
			SHEET	1 OF 2



APPROVALS		DATE		TITLE	
DRAWN	GLM	DATE	042602	CML12SXX AXM-0285	
CHECKED	PDF	DATE	042602	SIZE	D
DESIGNED	PDF	DATE	042602	DWG NO	AX-SCH-0274
REV	C	SHEET	2	OF	2