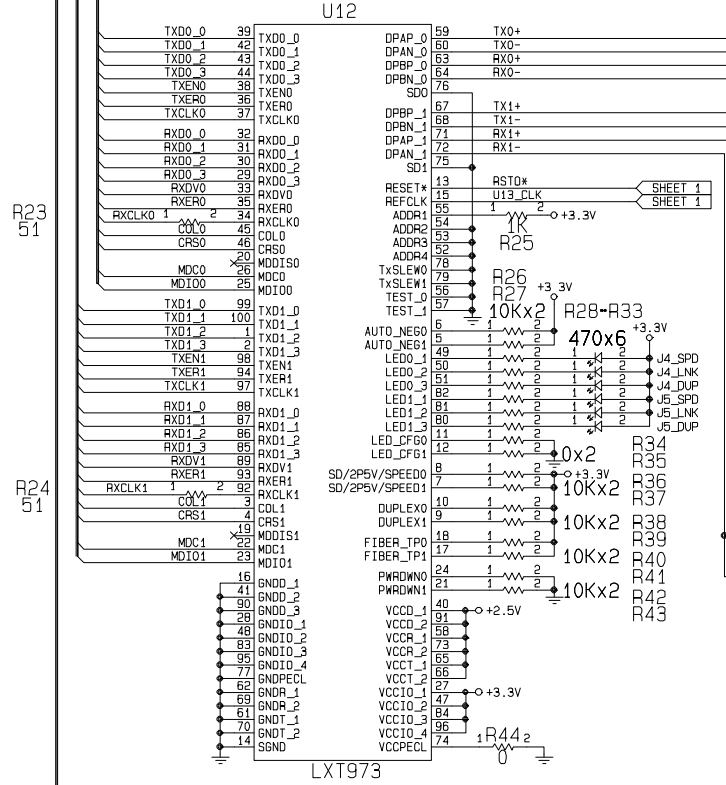


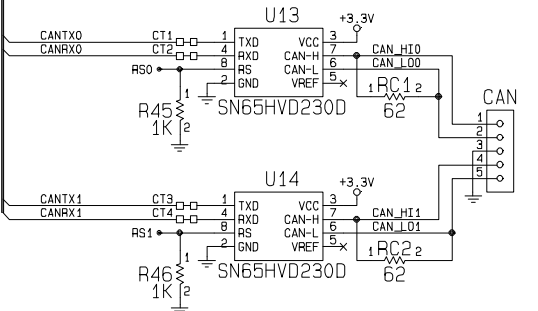
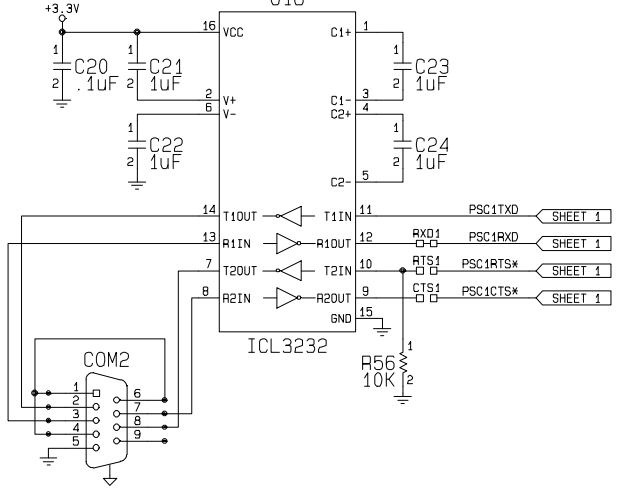
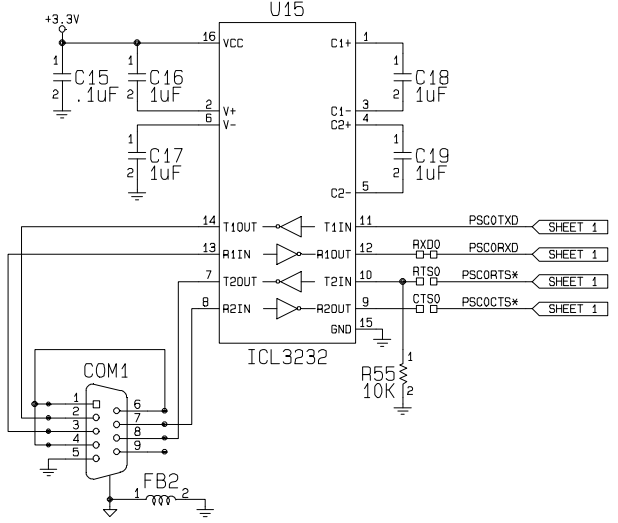
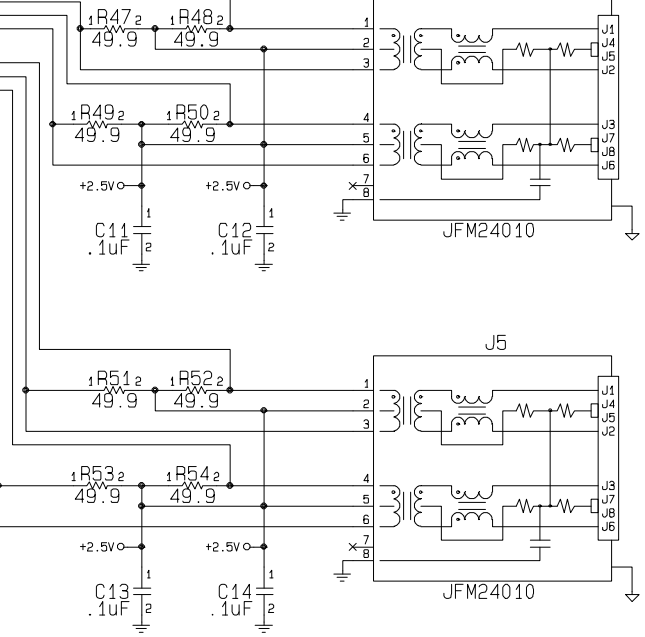
APPROVALS		DATE	TITLE	
DRAWN	GLM	040105	CML5485/M5485LITE AXM-0347	
CHECKED	RDF	040105	SIZE	DWG. NO.
FINISH			SCALE	AX-SCH-0326
				REV C
				SHEET 2 OF 6

SHEET 1 EMAC0
 SHEET 1 EMAC1
 SHEET 1 CAN-PORT

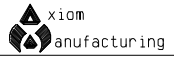


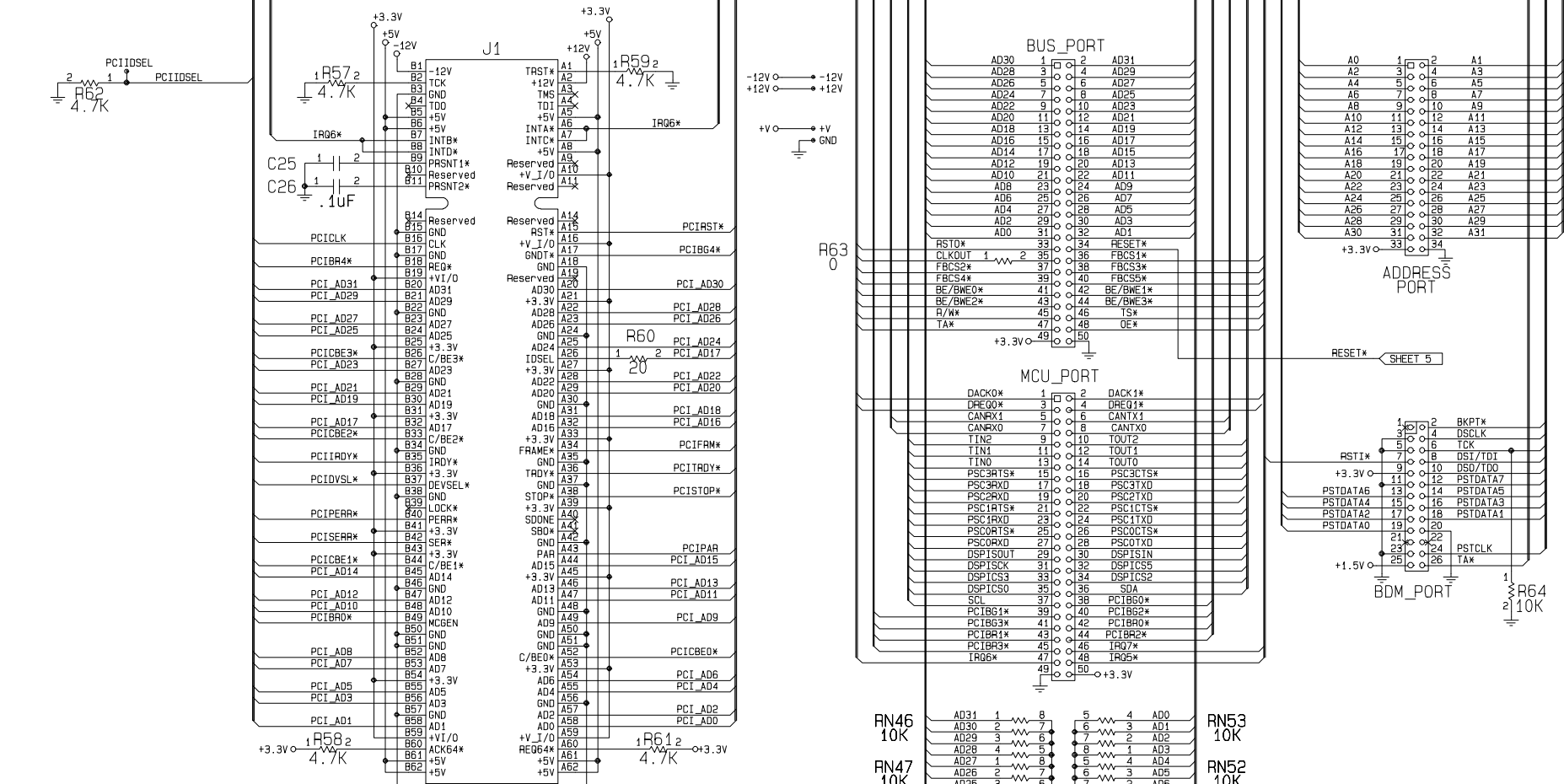
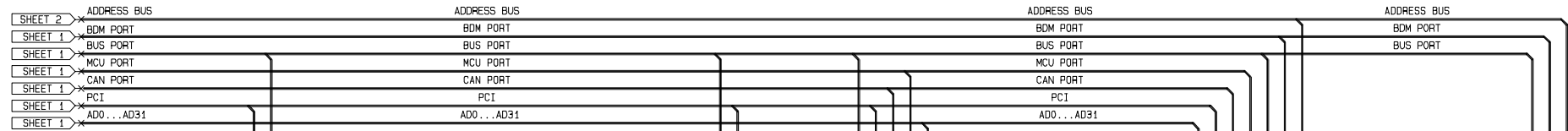
R23
51

R24
51



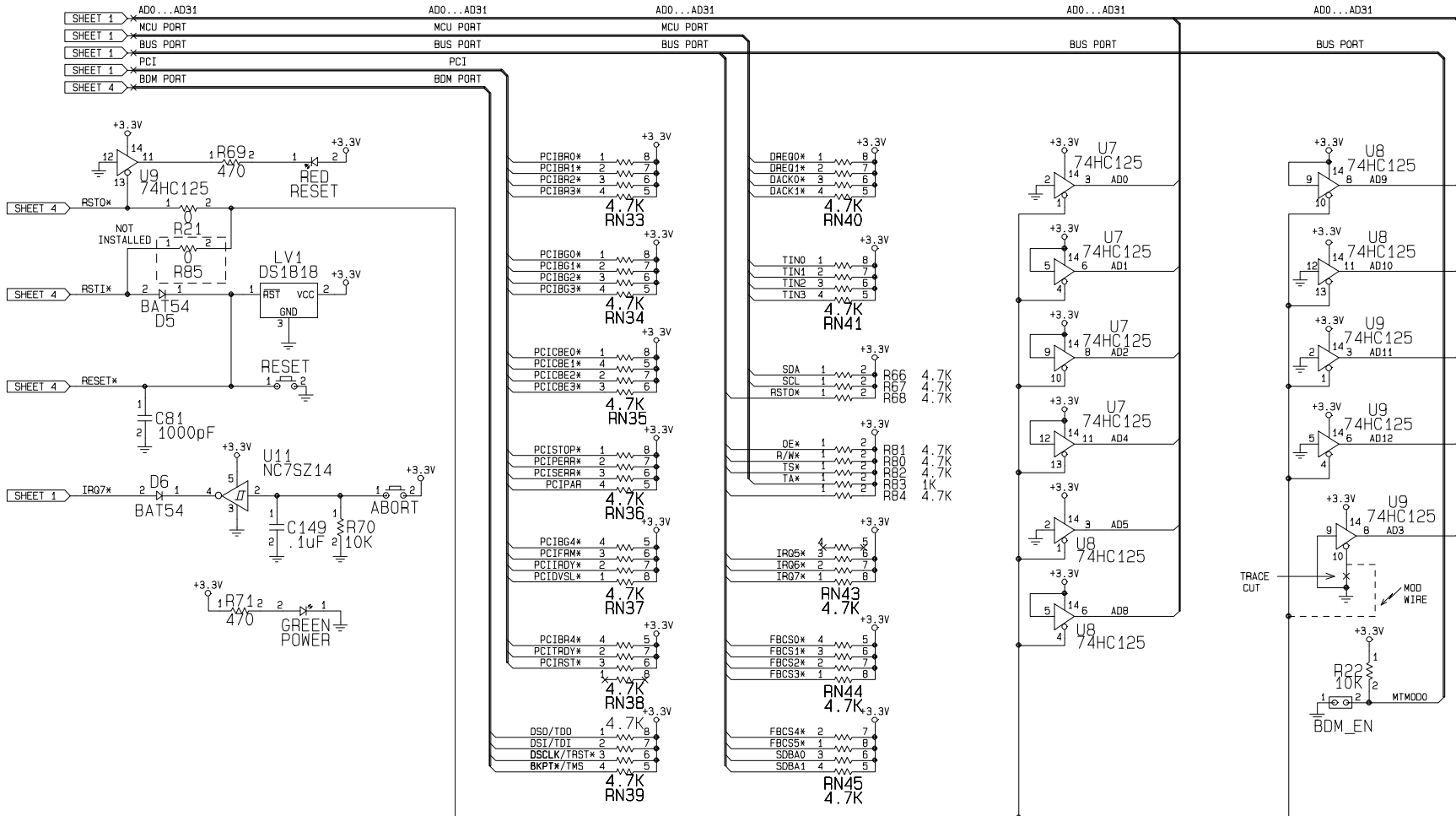
APPROVALS		DATE	TITLE		
DRAWN	GLM	040105	CML5485/M5485LITE		
CHECKED	RDF	040105	SIZE	DWG NO.	REV
FINISH				AX-SCH-0326	C
SCALE		SHEET		3 OF 6	



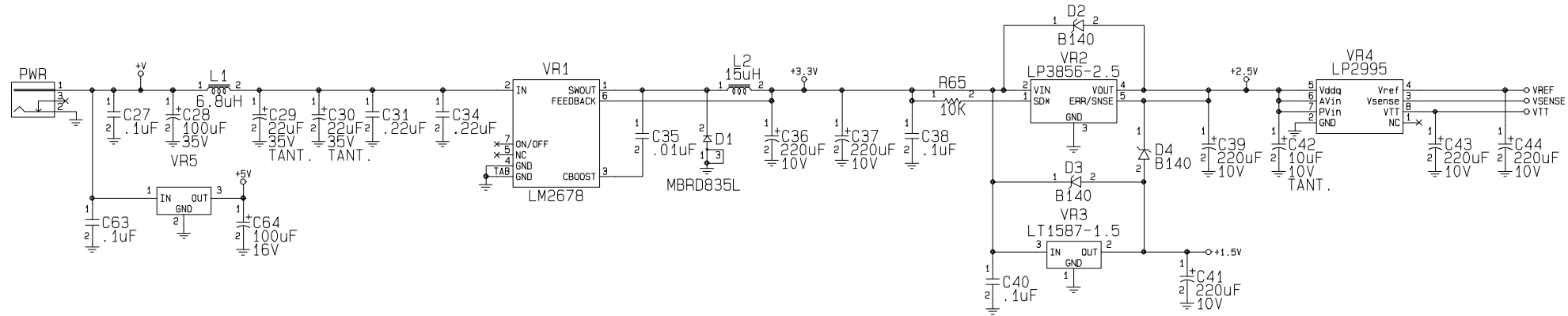


RN46	10K	AD31	1	8	5	4	AD0	RN53	10K
		AD30	2	7	6	3	AD1		
		AD29	3	6	7	2	AD2		
		AD28	4	5	8	1	AD3		
RN47	10K	AD27	1	8	5	4	AD4	RN52	10K
		AD26	2	7	6	3	AD5		
		AD25	3	6	7	2	AD6		
		AD24	4	5	8	1	AD7		
RN48	10K	AD23	1	8	5	4	AD8	RN51	10K
		AD22	2	7	6	3	AD9		
		AD21	3	6	7	2	AD10		
		AD20	4	5	8	1	AD11		
RN49	10K	AD19	1	8	5	4	AD12	RN50	10K
		AD18	2	7	6	3	AD13		
		AD17	3	6	7	2	AD14		
		AD16	4	5	8	1	AD15		

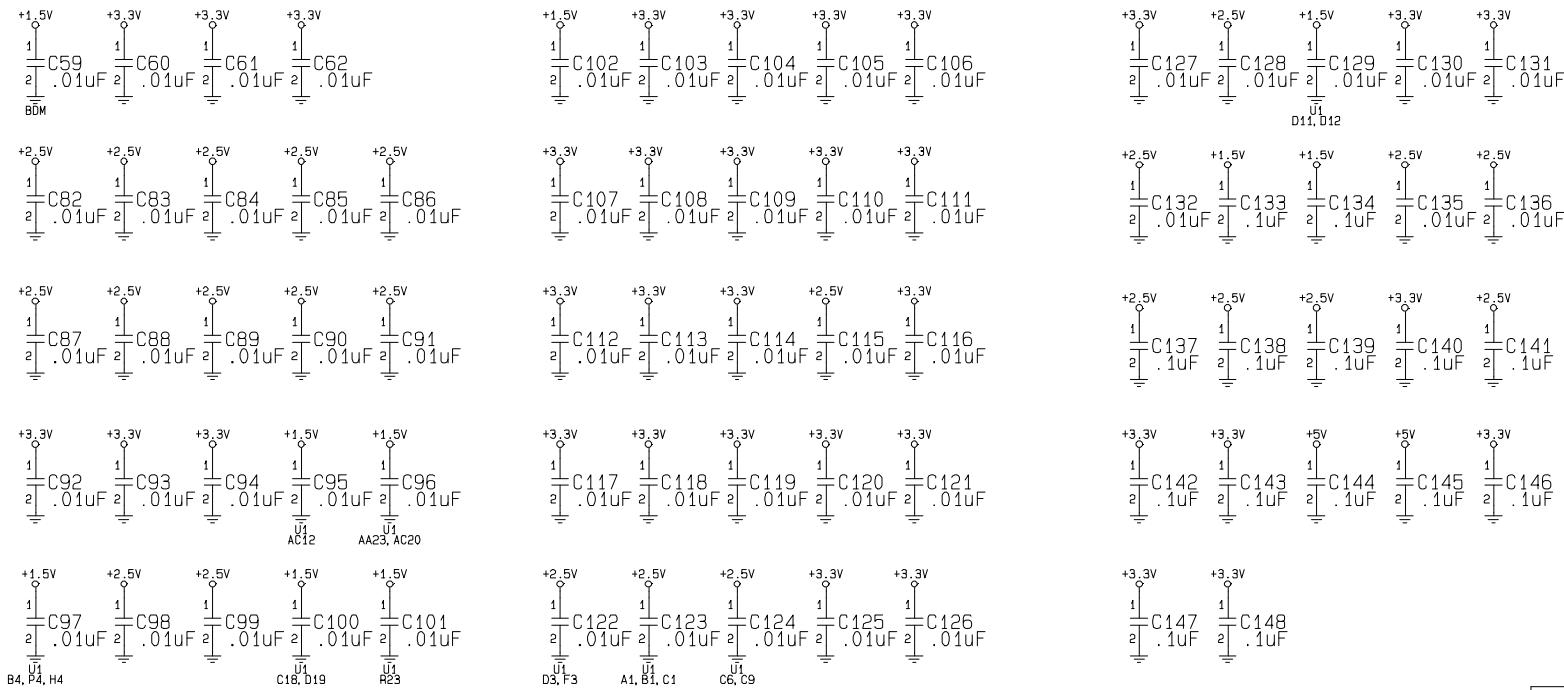
APPROVALS		DATE	TITLE	
DRAWN	GLM	040105	CML5485/M5485LITE AXM-0347	
CHECKED	RDF	040105	SIZE	DWG NO.
FINISH			SCALE	REV
				C
			SHEET 4 OF 6	



APPROVALS		DATE	TITLE	
DRAWN	GLM	053105	CML5485/M5485LITE AXM-0347	
CHECKED	RDF	053105	SIZE	DWG NO.
FINISH			SCALE	AX-SCH-0326
				REV C
				SHEET 5 OF 6



BYPASS CAPACITORS



APPROVALS		DATE	TITLE	
DRAWN	GLM	040105	CML5485/M5485LITE AXM-0347	
CHECKED	RDF	040105	SIZE	DWG NO.
FINISH				AX-SCH-0326
SCALE			REV	
			C	
			SHEET 6 OF 6	