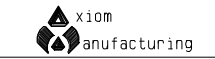
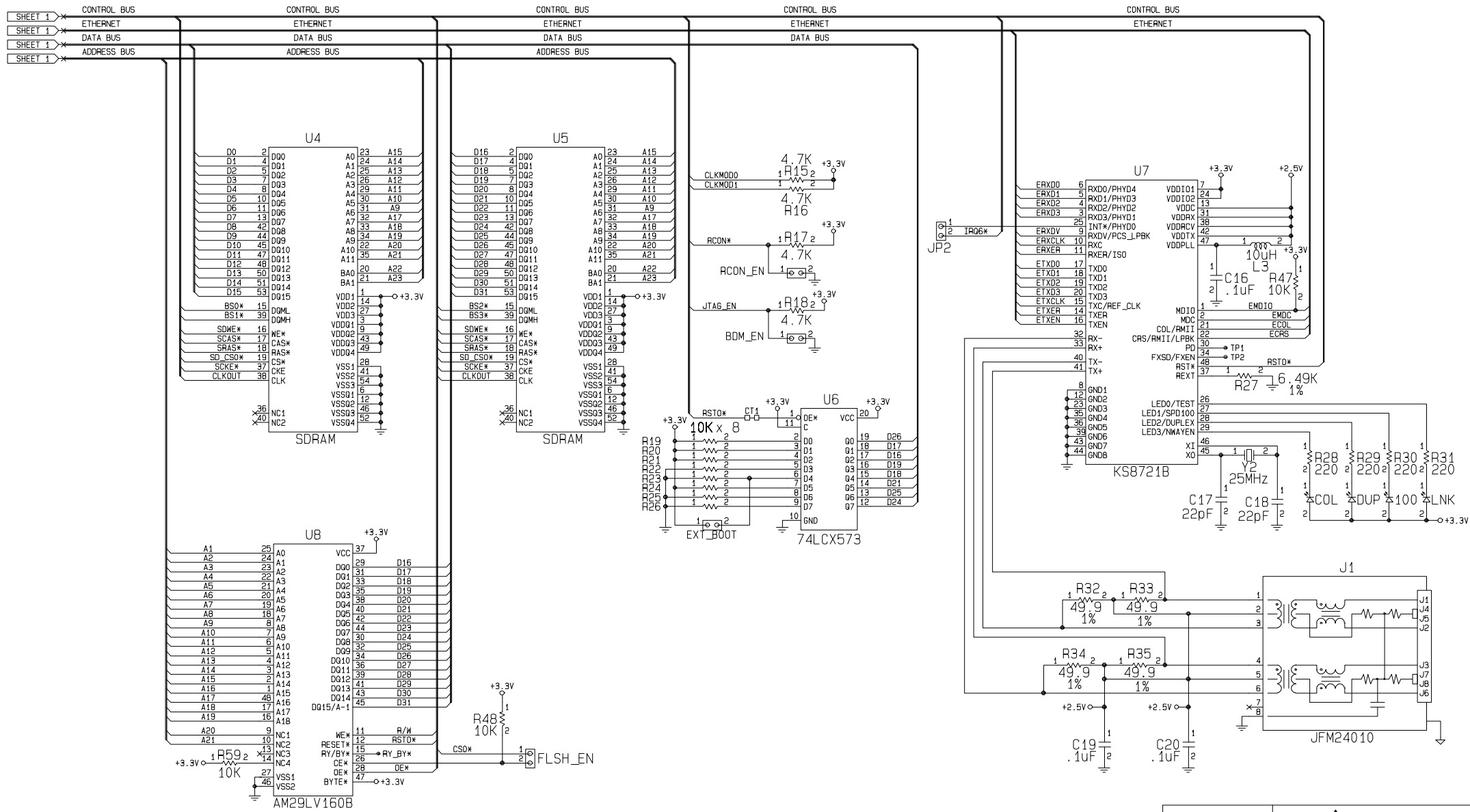


SHEET 3 BDM PORT
 SHEET 3 ANALOG BUS
 SHEET 2 CONTROL BUS

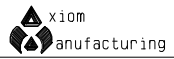
APPROVALS		DATE	TITLE	
DRANN	GLM	022704	CML5282 AXM-0315	
CHECKED	RDF	022704	SIZE	DWG NO. AX-SCH-0296
FINISH			SCALE	REV D
				SHEET 1 OF 3

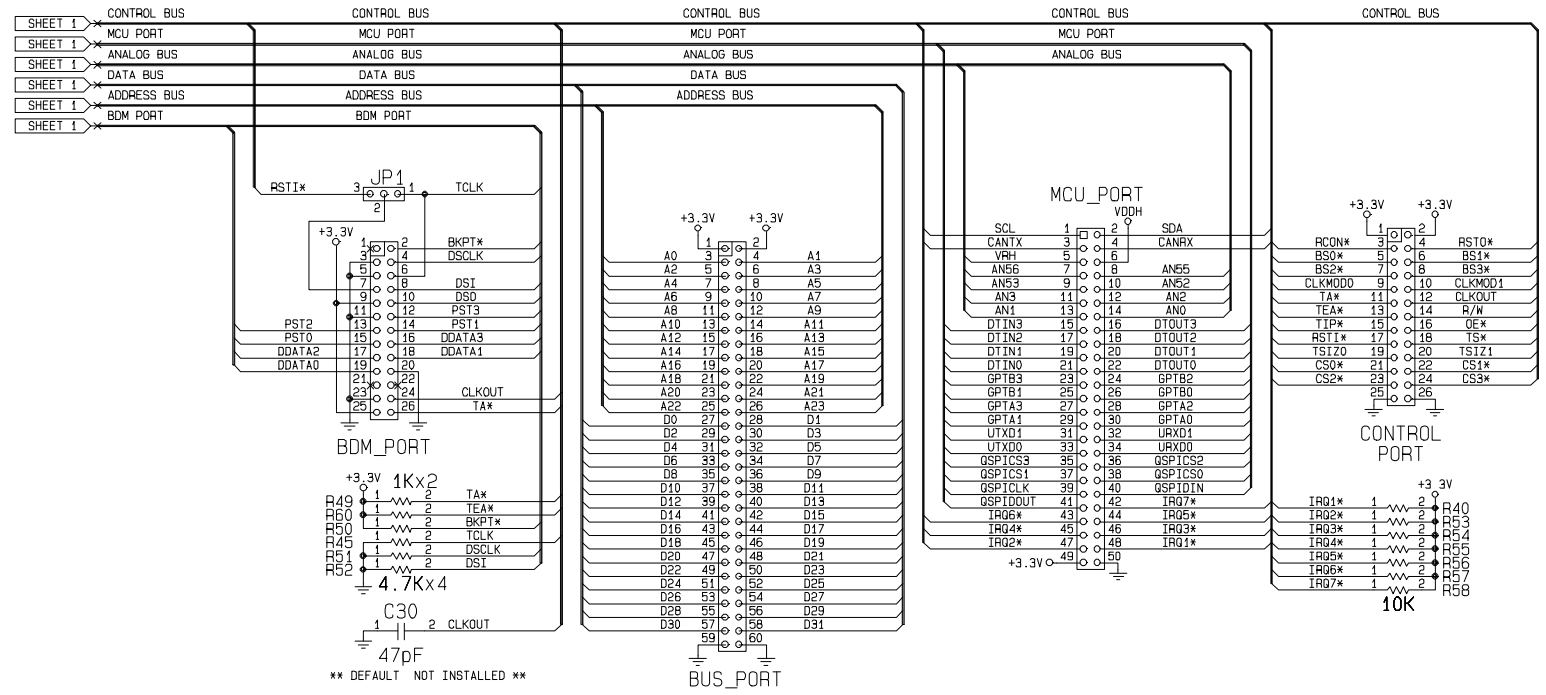




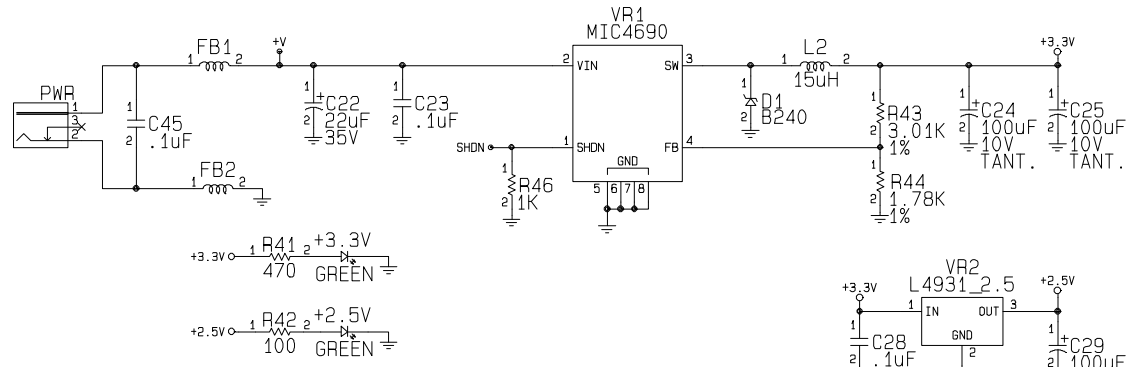
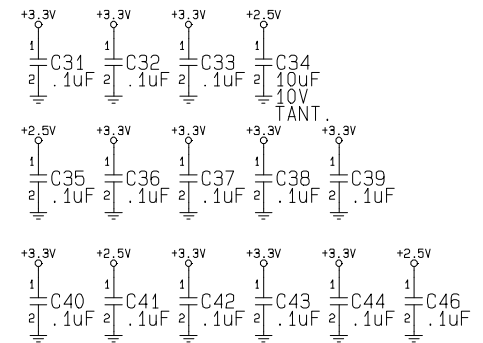
NOTE:
SIZE UP TO AM29LV320B

APPROVALS		DATE	TITLE	
DRAWN	GLM	022704	CML5282 AXM-0315	
CHECKED	RDF	022704	SIZE	D
FINISH			DWG NO.	AX-SCH-0296
SCALE			REV	D
			SHEET 2 OF 3	





BYPASS CAPACITORS



APPROVALS		DATE	TITLE	
DRAWN	GLM	022704	CML5282 AXM-0315	
CHECKED	RDF	022704	SIZE	D
FINISH		SCALE	DWG NO.	AX-SCH-0296
			REV	D
			SHEET 3 OF 3	