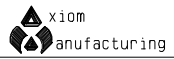
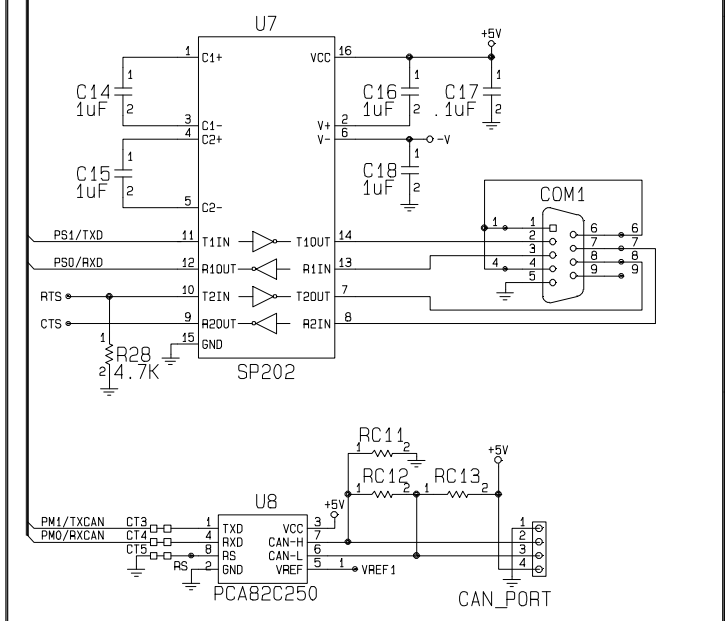
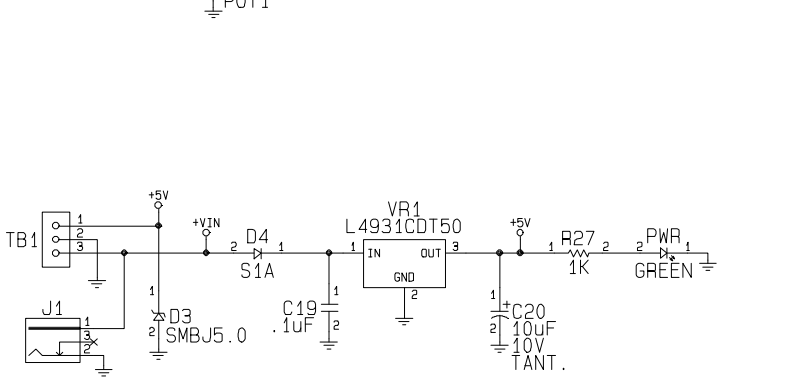
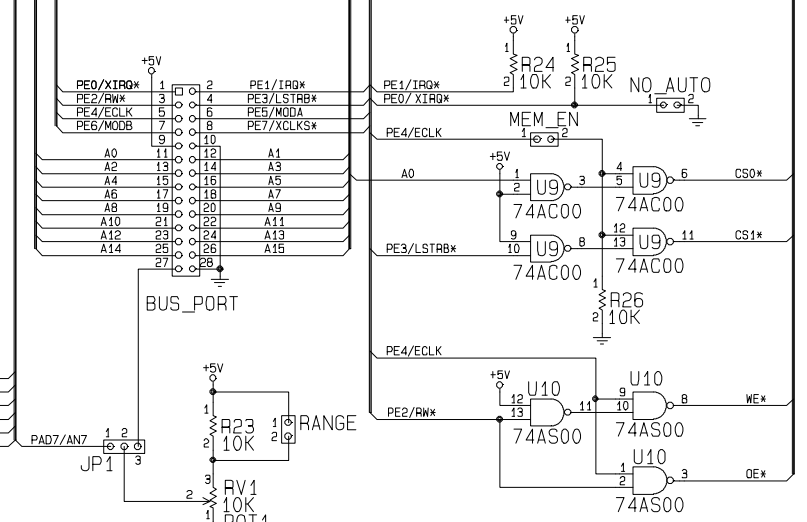
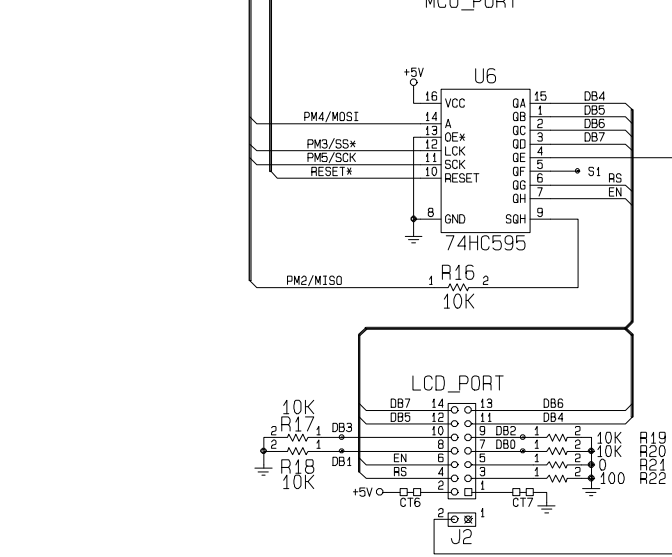
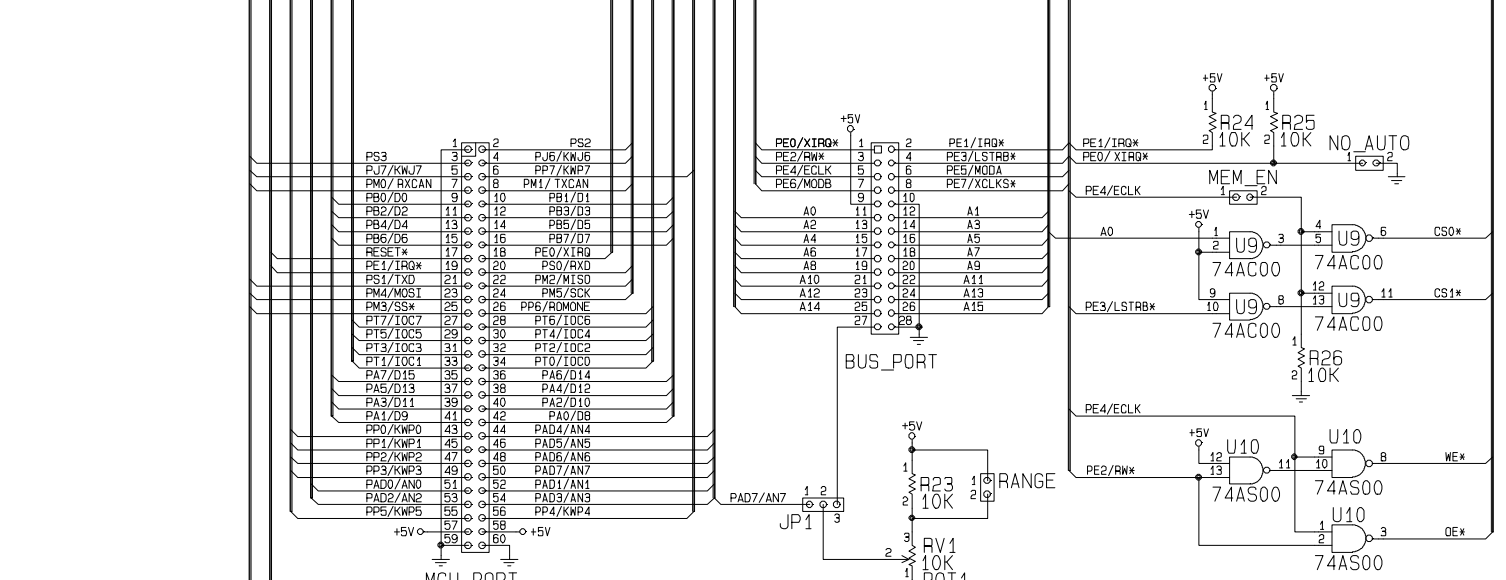
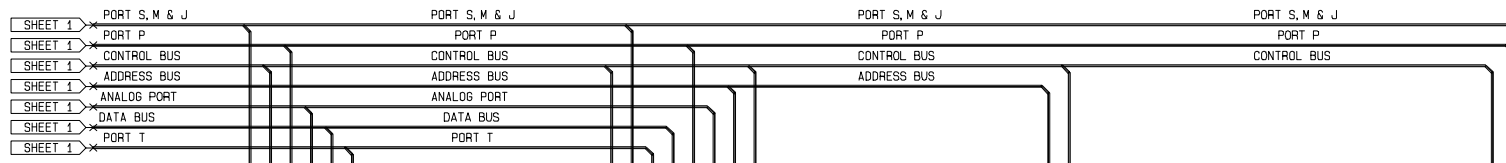


APPROVALS		DATE		TITLE	
DRAWN	GLM	031704		CML-12C32 AXM-0324	
CHECKED	RDF	031704	SIZE	DWG. NO.	AX-SCH-0304
FINISH			SCALE		SHEET 1 OF 2





APPROVALS		DATE	TITLE	
DRAWN	GLM	030104	CML-12C32 AXM-0324	
CHECKED	RDF	030104	SIZE	DWG. NO.
FINISH			SCALE	REV
				B
				SHEET 2 OF 2

