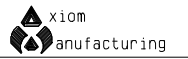


SHEET 3 BDM PORT
 SHEET 3 ANALOG BUS
 SHEET 2 CONTROL BUS

APPROVALS		DATE	TITLE	
GLM	RDV	042607	CME5282 AXM-0417	
CHECKED	FINISH	042607	SIZE	DWG NO.
			DOC-0417-030	REV
			SCALE	SHEET 1 OF 3



SHEET 1 CONTROL BUS
 SHEET 1 ETHERNET
 SHEET 1 DATA BUS
 SHEET 1 ADDRESS BUS

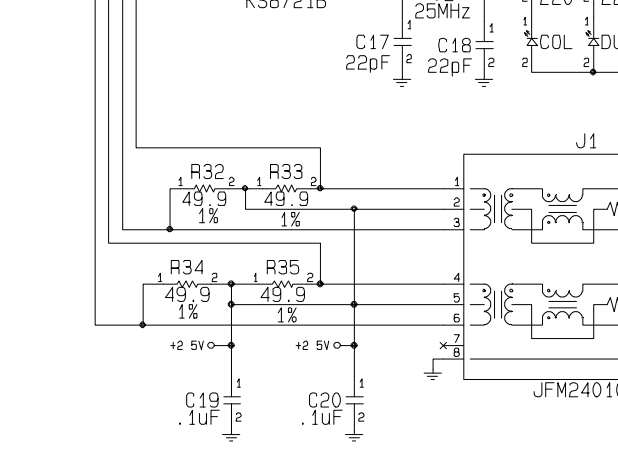
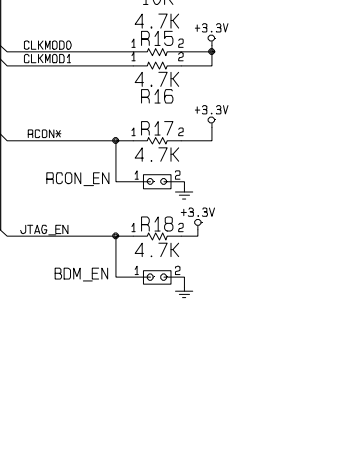
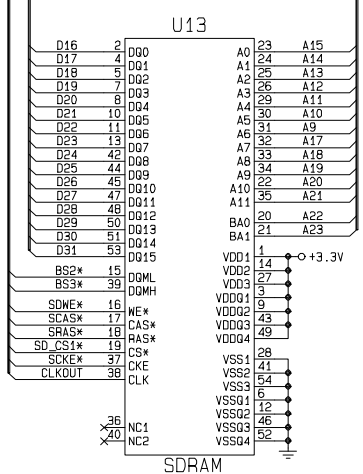
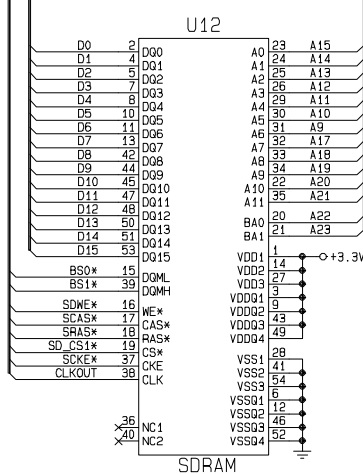
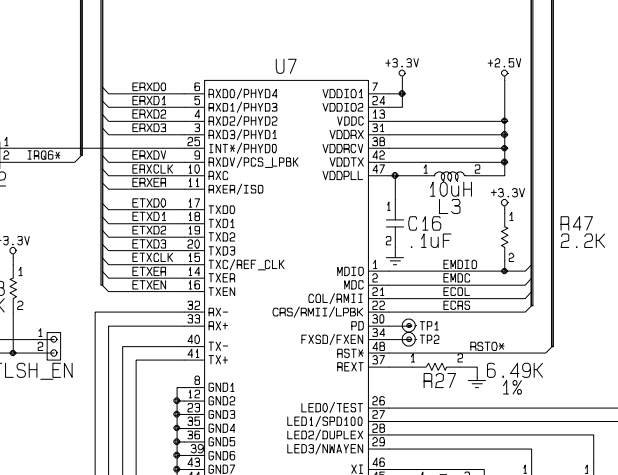
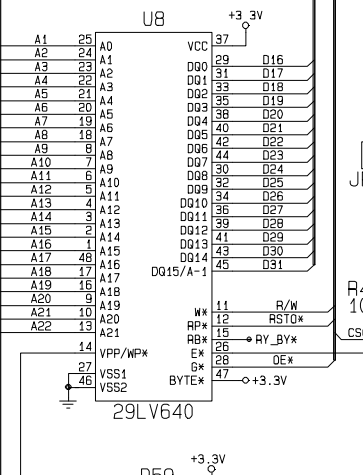
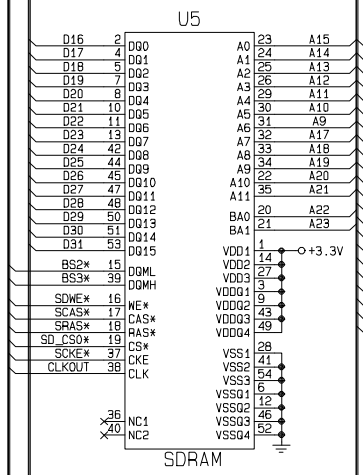
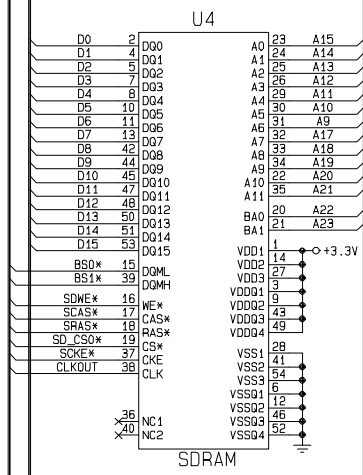
SHEET 1 CONTROL BUS
 SHEET 1 ETHERNET
 SHEET 1 DATA BUS
 SHEET 1 ADDRESS BUS

SHEET 1 CONTROL BUS
 SHEET 1 ETHERNET
 SHEET 1 DATA BUS
 SHEET 1 ADDRESS BUS

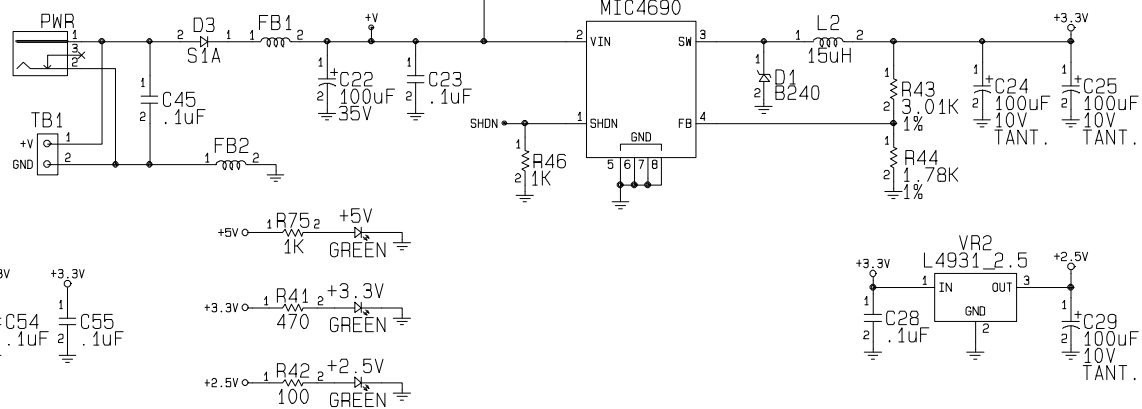
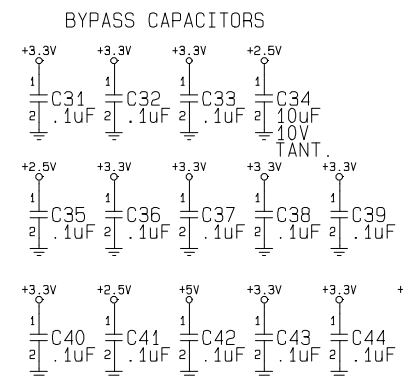
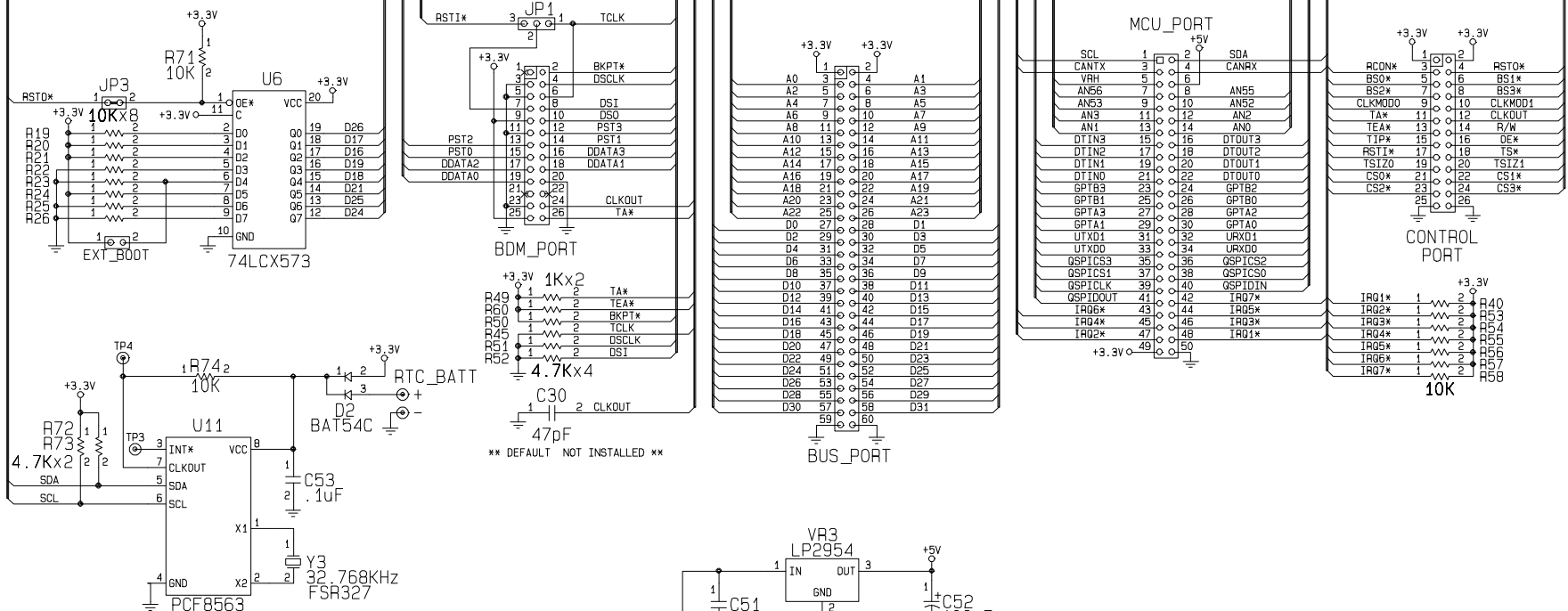
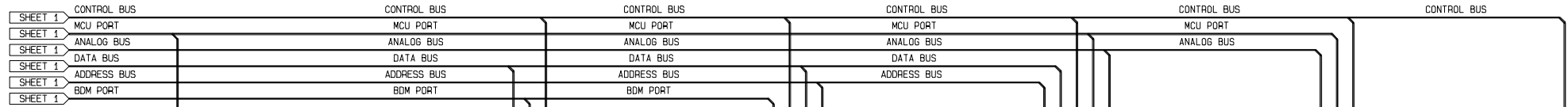
SHEET 1 CONTROL BUS
 SHEET 1 ETHERNET
 SHEET 1 DATA BUS
 SHEET 1 ADDRESS BUS

SHEET 1 CONTROL BUS
 SHEET 1 ETHERNET
 SHEET 1 DATA BUS
 SHEET 1 ADDRESS BUS

SHEET 1 CONTROL BUS
 SHEET 1 ETHERNET
 SHEET 1 DATA BUS
 SHEET 1 ADDRESS BUS



APPROVALS		DATE		TITLE	
DRWN	GLM	042607		CME5282 AXM-0417	
CHECKED	RDF	042607	SIZE	DWG NO.	REV
FINISH				DOC-0417-030	A
SCALE				SHEET 2 OF 3	



APPROVALS		DATE	TITLE	
DRWN	GLM	042607	CME5282 AXM-0417	
CHEKED	RDF	042607	SIZE	DWG. NO.
FINISH			SCALE	DOC-0417-030
			SHEET	3 OF 3