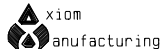


APPROVALS		DATE	TITLE	
DRAWN	GLM	091701	CME-2107 AXM-0233	
CHECKED	PDF	091701	SIZE	DWG NO
DESIGNED	PDF	091701	D	AX-SCH-0242
SCALE		SHEET 1 OF 2		REV C



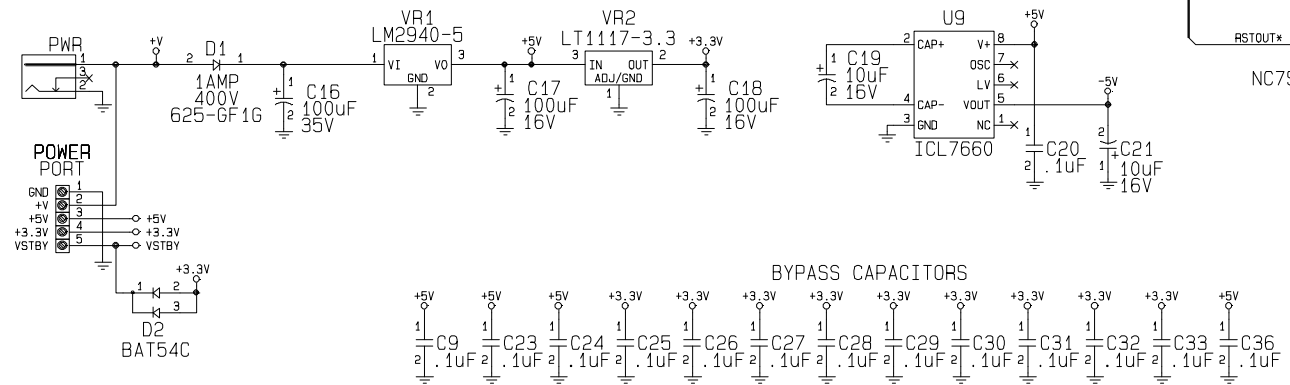
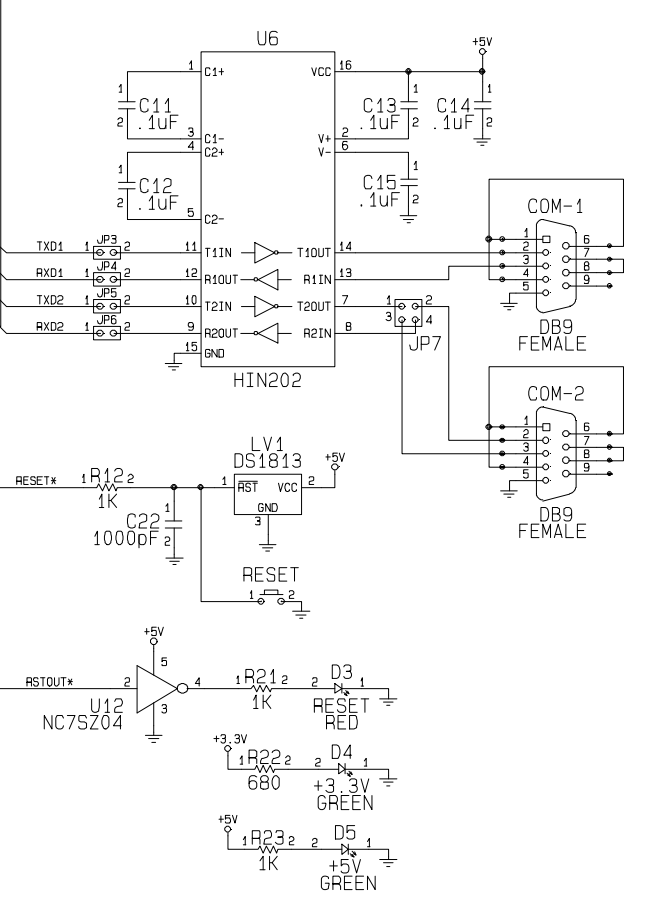
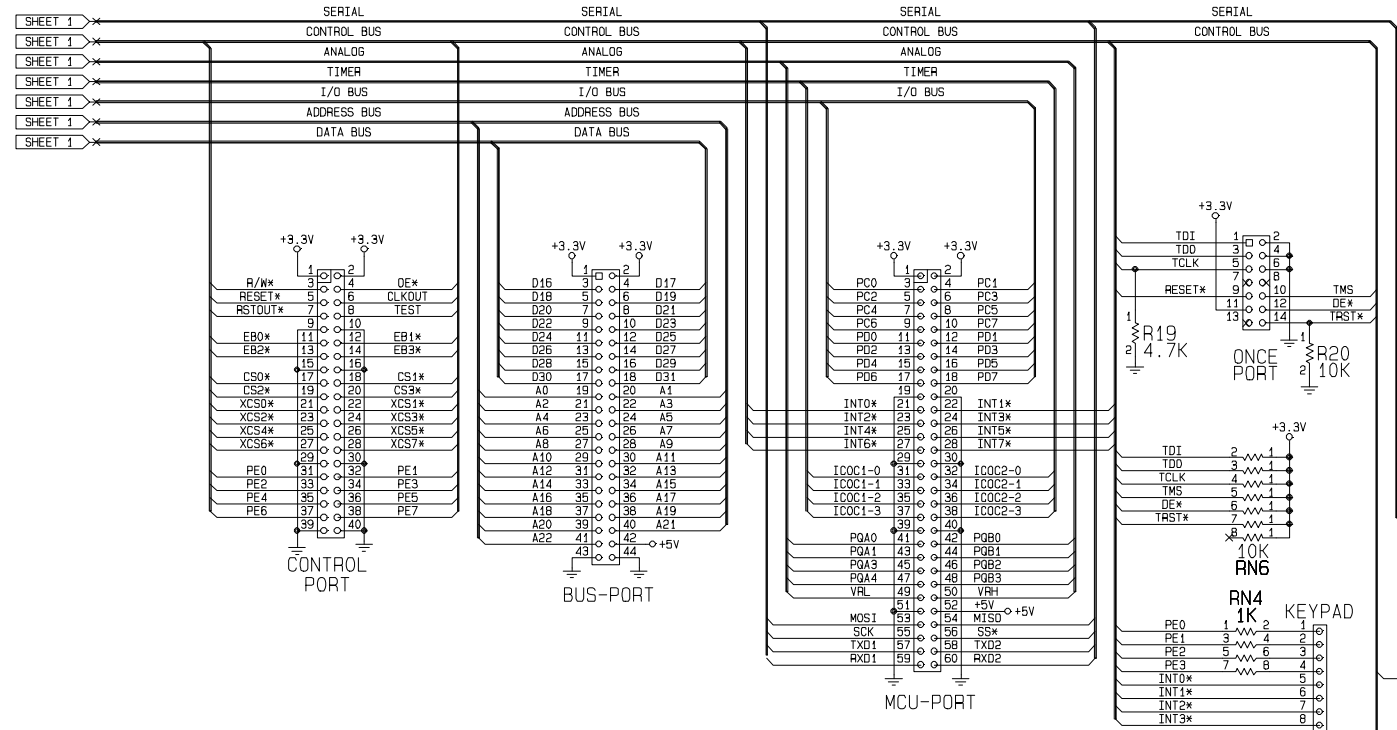
TITLE
CME-2107
AXM-0233

SIZE
D

SCALE

REV
C

SHEET 1 OF 2



APPROVALS		DATE		TITLE	
DRAWN	GLM	091701		CME-2107 AXM-0233	
CHECKED	PDF	091701		DWG NO	AX-SCH-0242
FINISH				SCALE	SHEET 2 OF 2