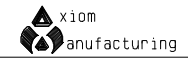
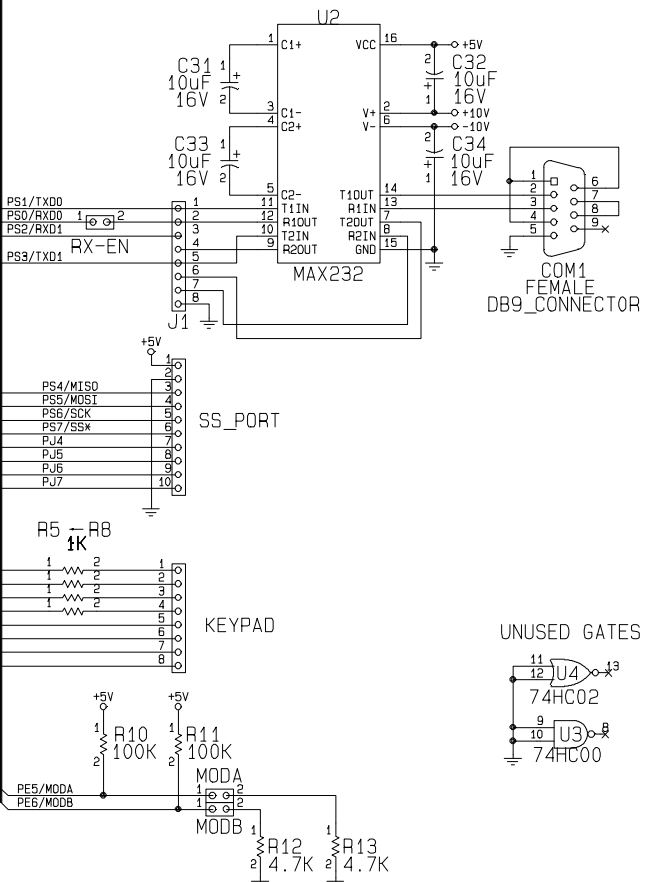
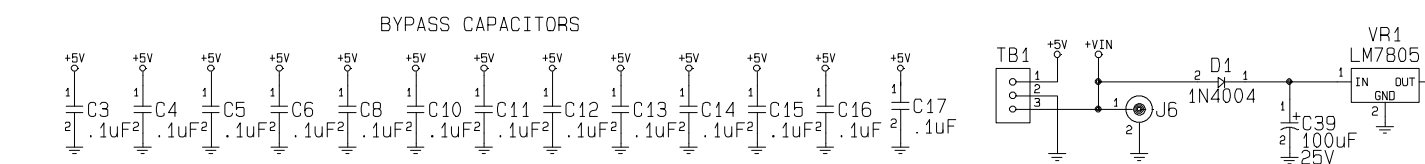
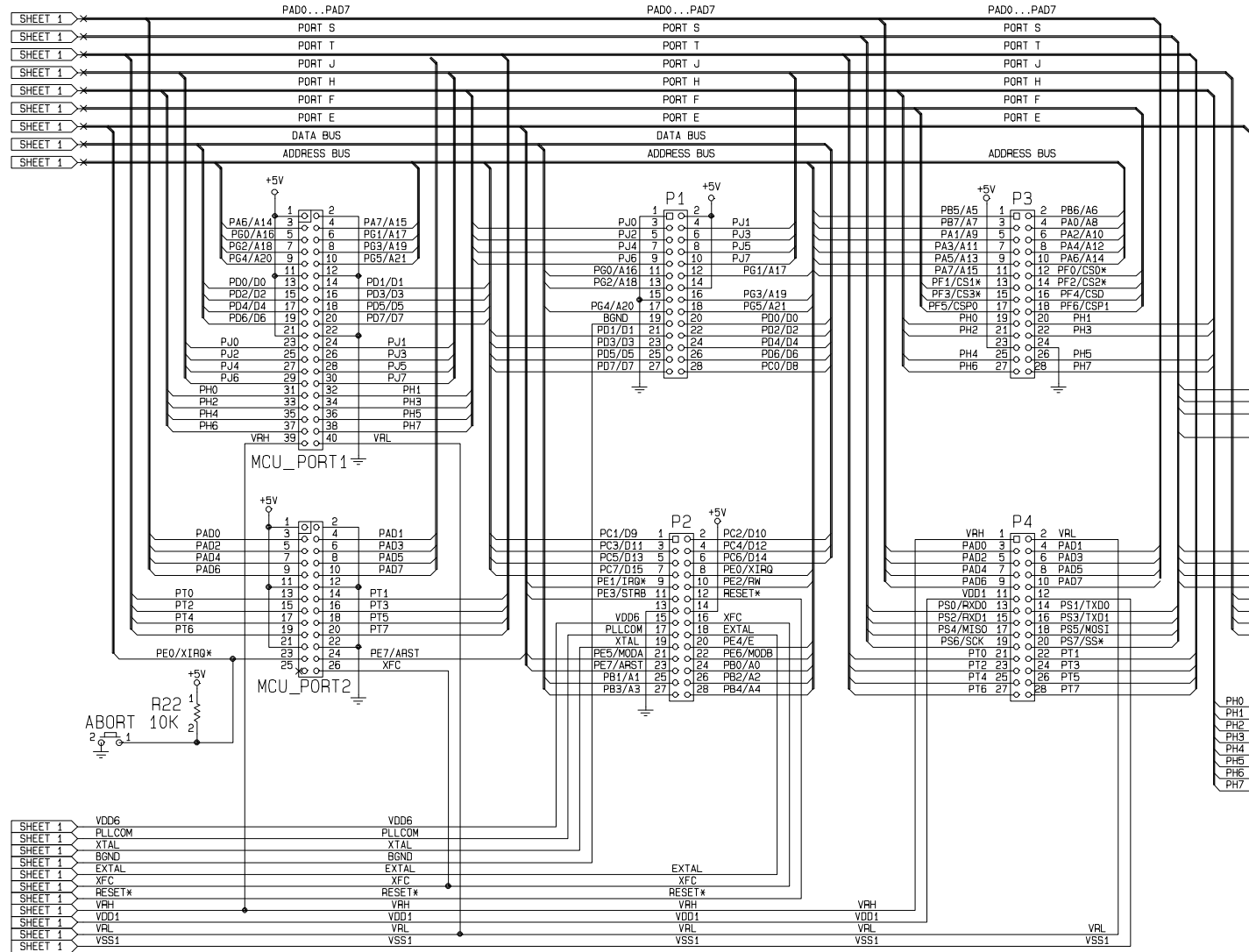


APPROVALS		DATE	TITLE	
GLM	RDF	040803	AXM-0238 CME12A4	
CHECKED	FINISH	040803	SIZE	REV
			D	B
Dwg. No. AX-SCH-0245			SCALE	SHEET 1 OF 2





APPROVALS		DATE	TITLE	
DRWN	GLM	040803	AXM-0238 CME12A4	
CHECKED	RDF	040803	SIZE	DWG. NO.
FINISH			SCALE	AX-SCH-0245
			REV	B
			SHEET 2 OF 2	

