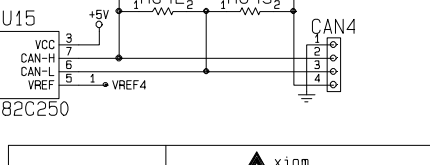
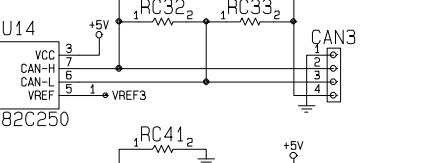
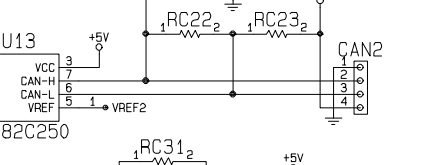
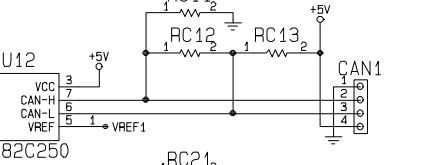
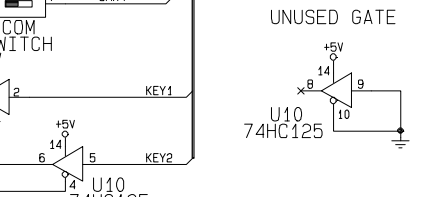
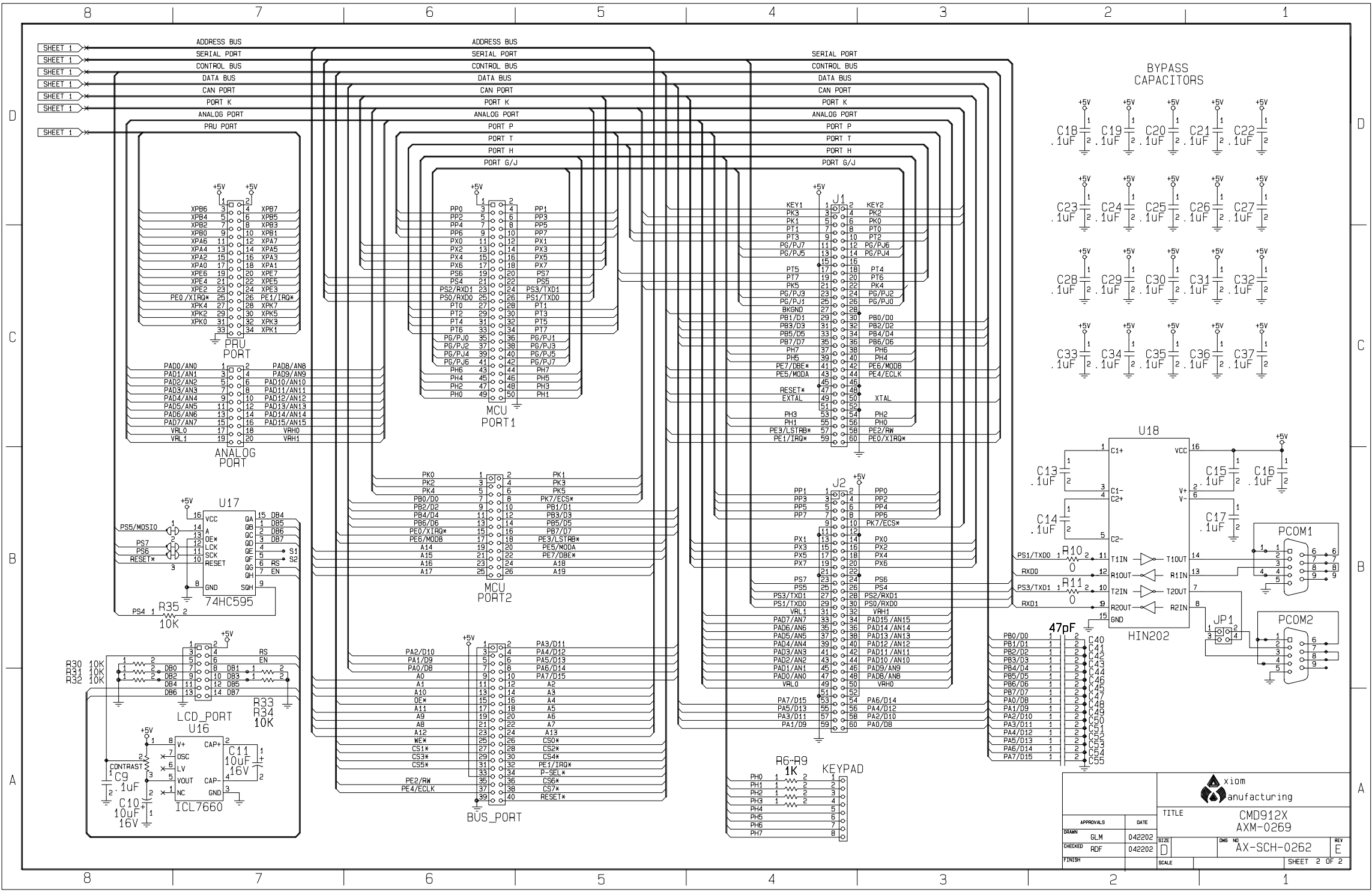


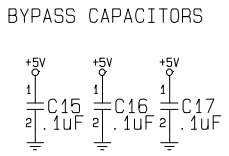
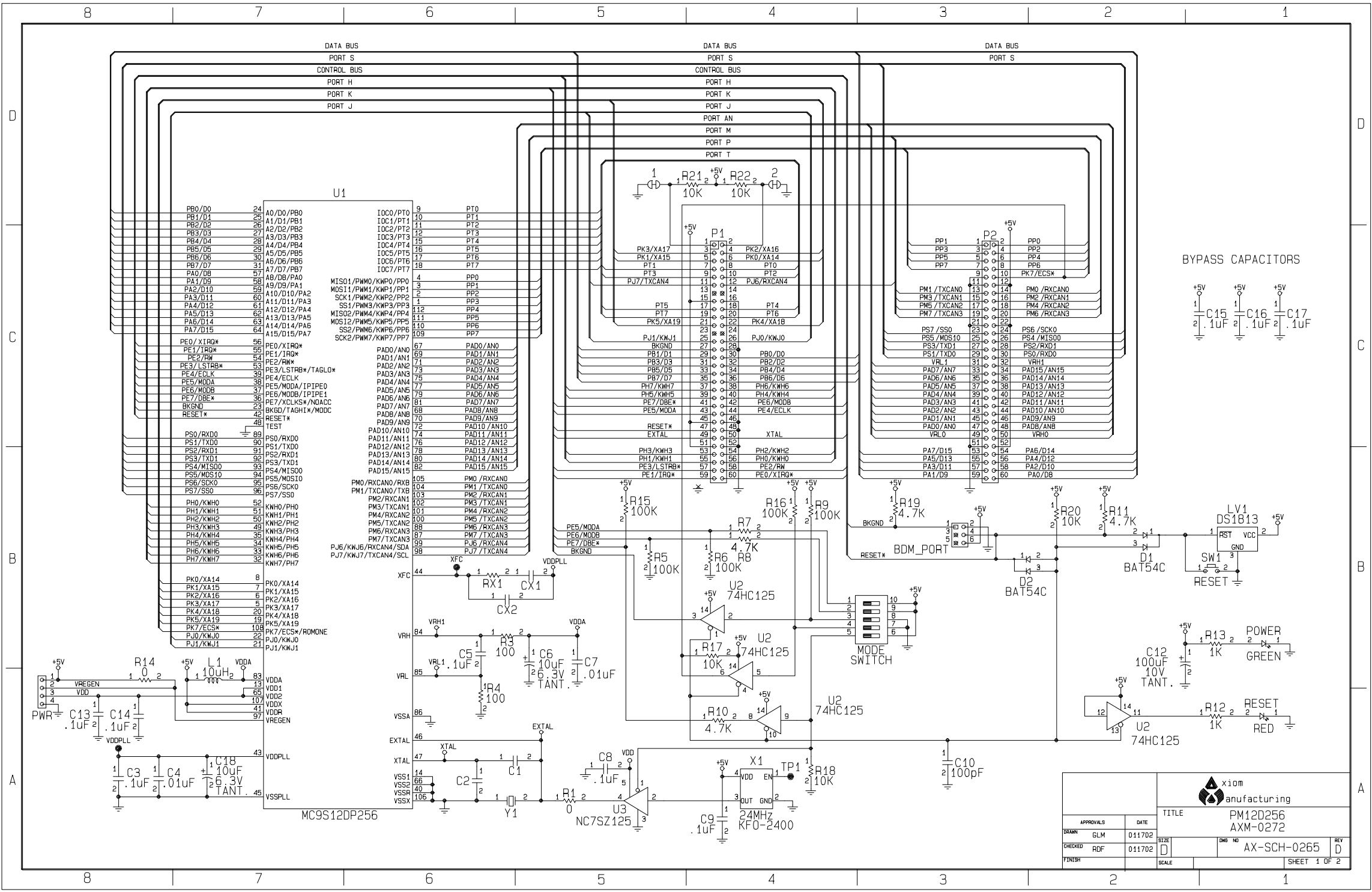
PRU PORT	CONTROL BUS	SHEET 2
PRU PORT	ADDRESS BUS	SHEET 2
PRU PORT	DATA BUS	SHEET 2
PRU PORT	PORT K	SHEET 2
PRU PORT	CAN PORT	SHEET 2
PRU PORT	SERIAL PORT	SHEET 2



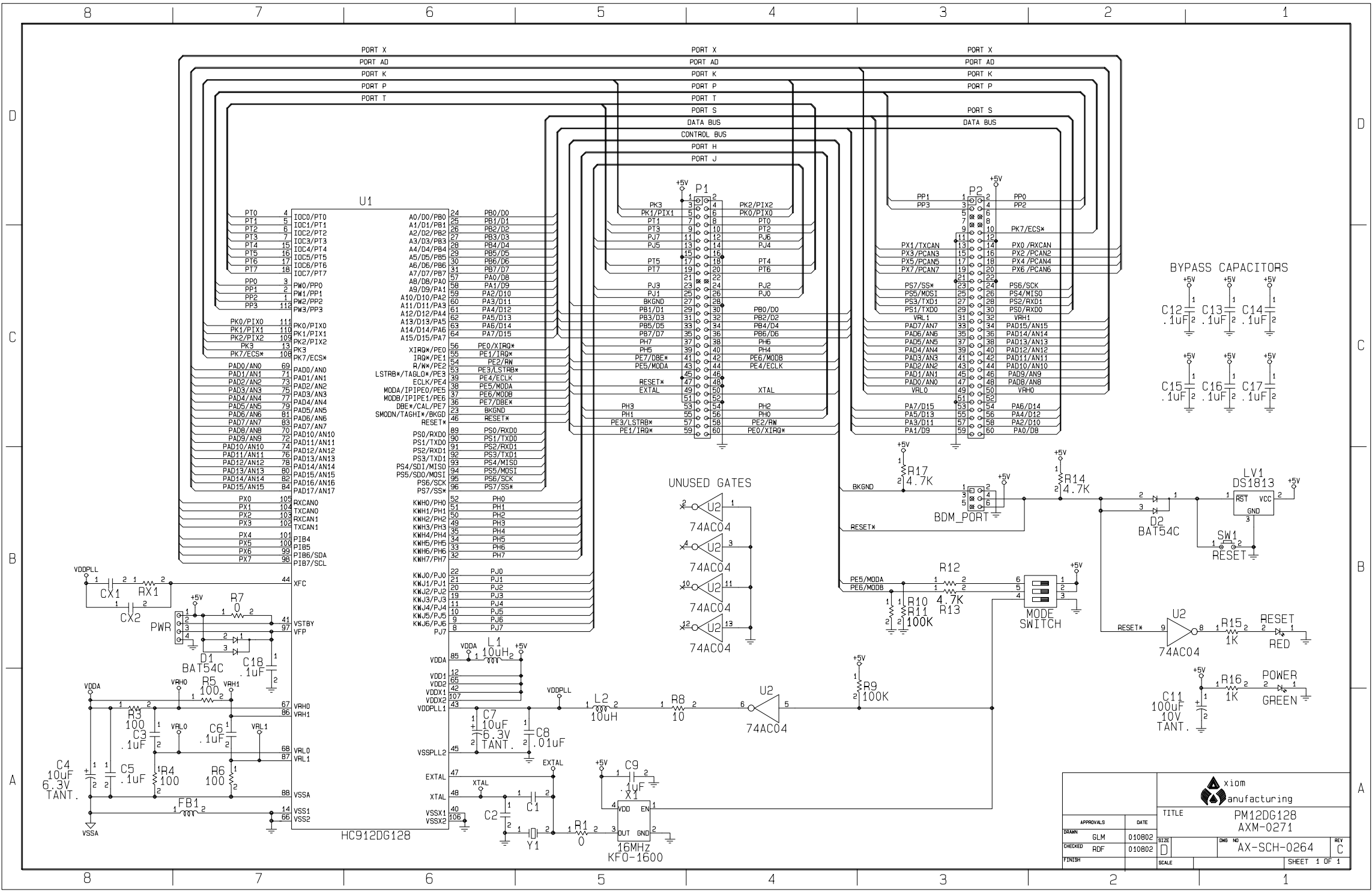
APPROVALS		DATE		TITLE	
DRAWN	GLM	042202		CMD912X AXM-0269	
CHECKED	PDF	042202		SIZE	DWG NO
FTNSH				SCALE	AX-SCH-0262
				REV	E
				SHEET 1 OF 2	



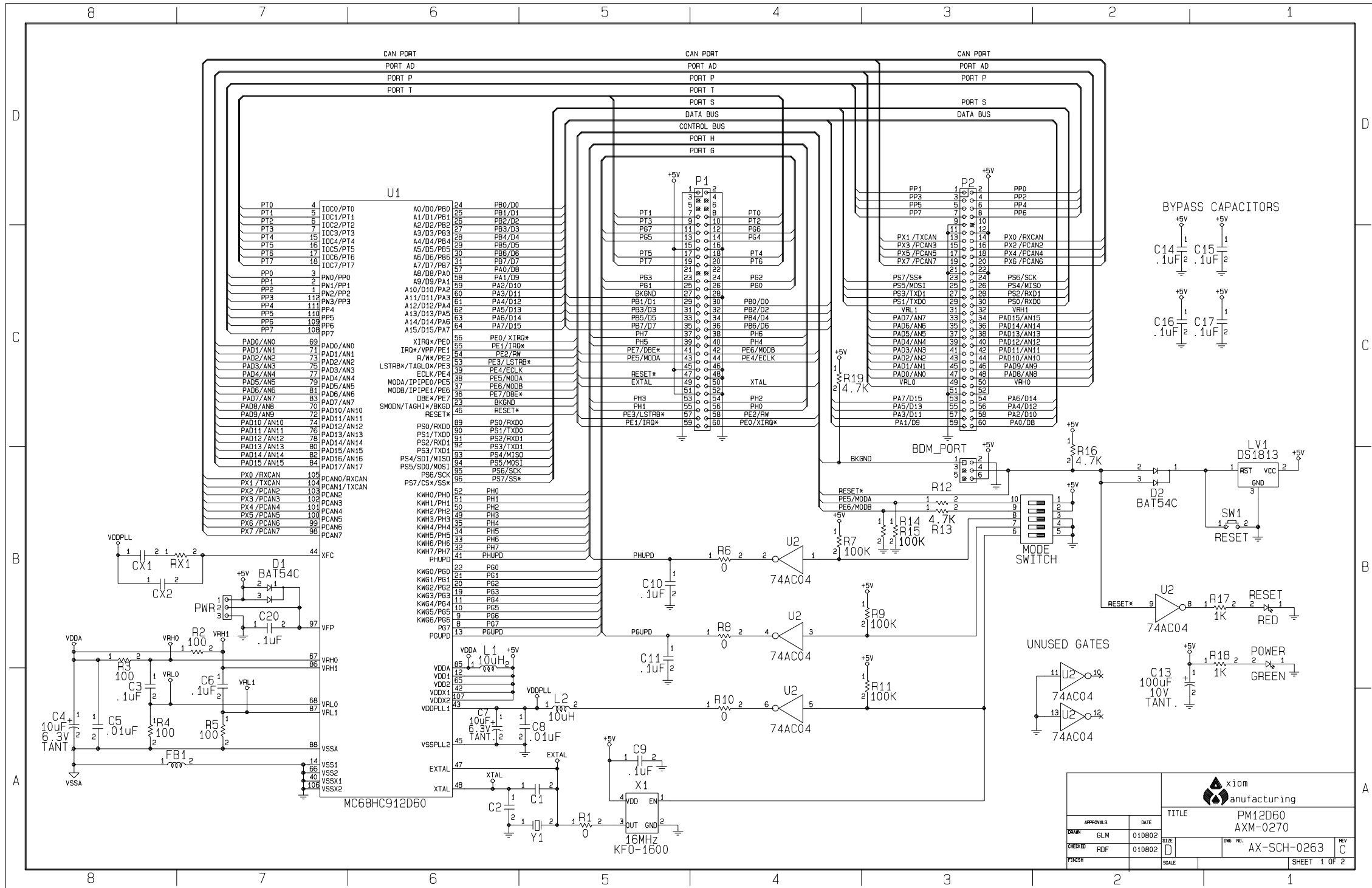
APPROVALS		DATE	TITLE	
DRAWN	GLM	042202	CMD912X AXM-0269	
CHECKED	PDF	042202	SIZE	DWG NO
FINISH			SCALE	AX-SCH-0262
				REV E
				SHEET 2 OF 2



APPROVALS		DATE		TITLE	
DRAWN GLM		011702		PM12D256 AXM-0272	
CHECKED RDF		011702		DWG NO AX-SCH-0265	
FINISH		SCALE		REV D	
				SHEET 1 OF 2	



APPROVALS		DATE	TITLE	
DRAWN	GLM	010802	PM12DG128 AXM-0271	
CHECKED	PDF	010802	SIZE	DWG NO
FINISH			SCALE	AX-SCH-0264
				REV C
				SHEET 1 OF 1



APPROVALS		DATE		TITLE	
DRAWN	GLM	010802		PM12D60 AXM-0270	
CHECKED	PDF	010802		SIZE	D
FINISH				DWG. NO.	AX-SCH-0263
				SCALE	
				SHEET	1 OF 2