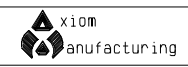


APPROVALS		DATE		TITLE	
GLM		080403		CMD12A4 AXM-0266	
CHECKED	RDV	080403	D	ENG. NO.	AX-SCH-0261
FINISH				SCALE	
					SHEET 1 OF 2



D

C

B

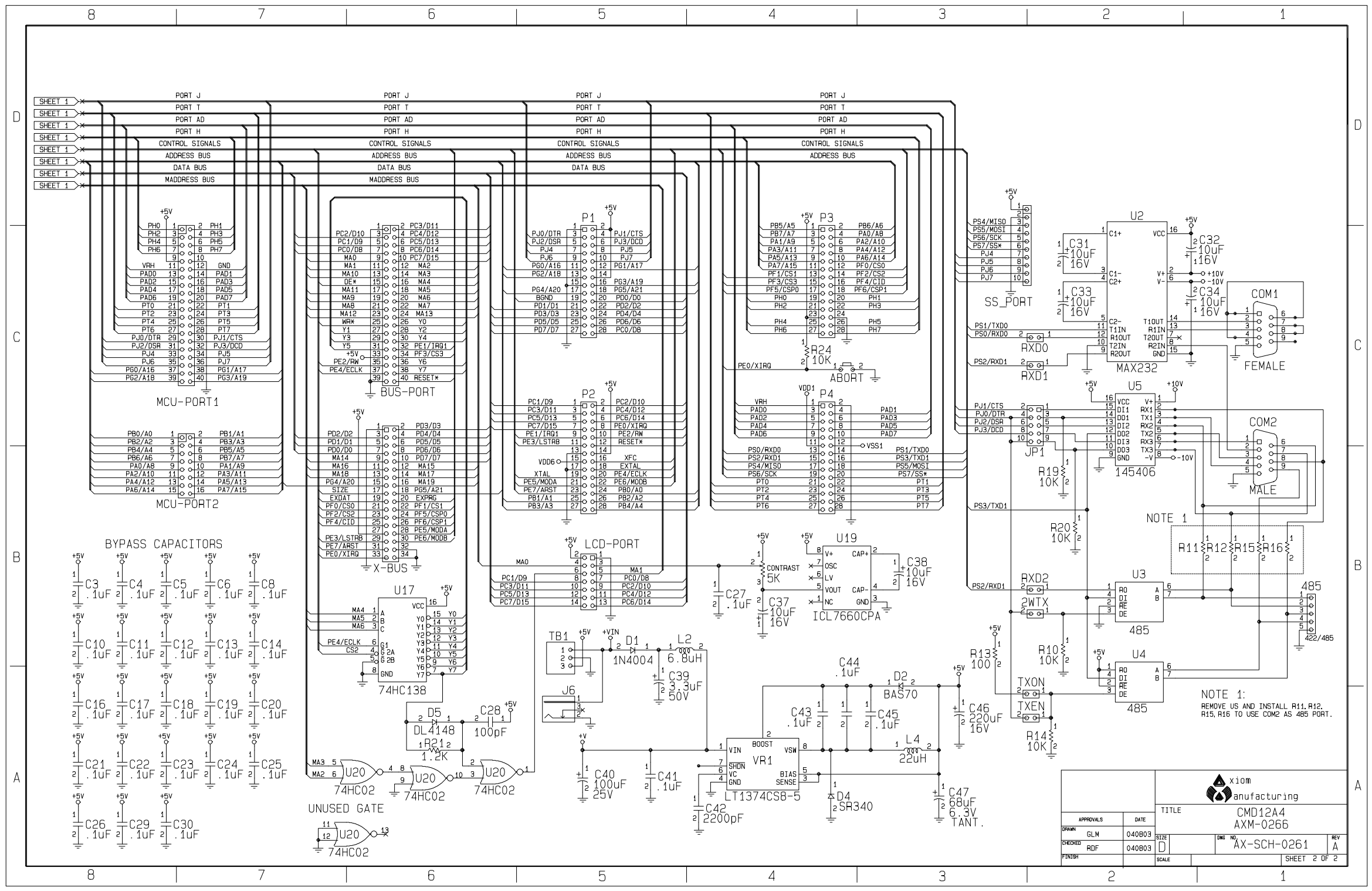
A

D

C

B

A



NOTE 1:
REMOVE U5 AND INSTALL R11, R12,
R15, R16 TO USE COM2 AS 485 PORT.

		TITLE CMD12A4 AXM-0266	
APPROVALS GLM RDF	DATE 040803 040803	SIZE D	REV A
FINISH		DWG. NO. AX-SCH-0261	SHEET 2 OF 2