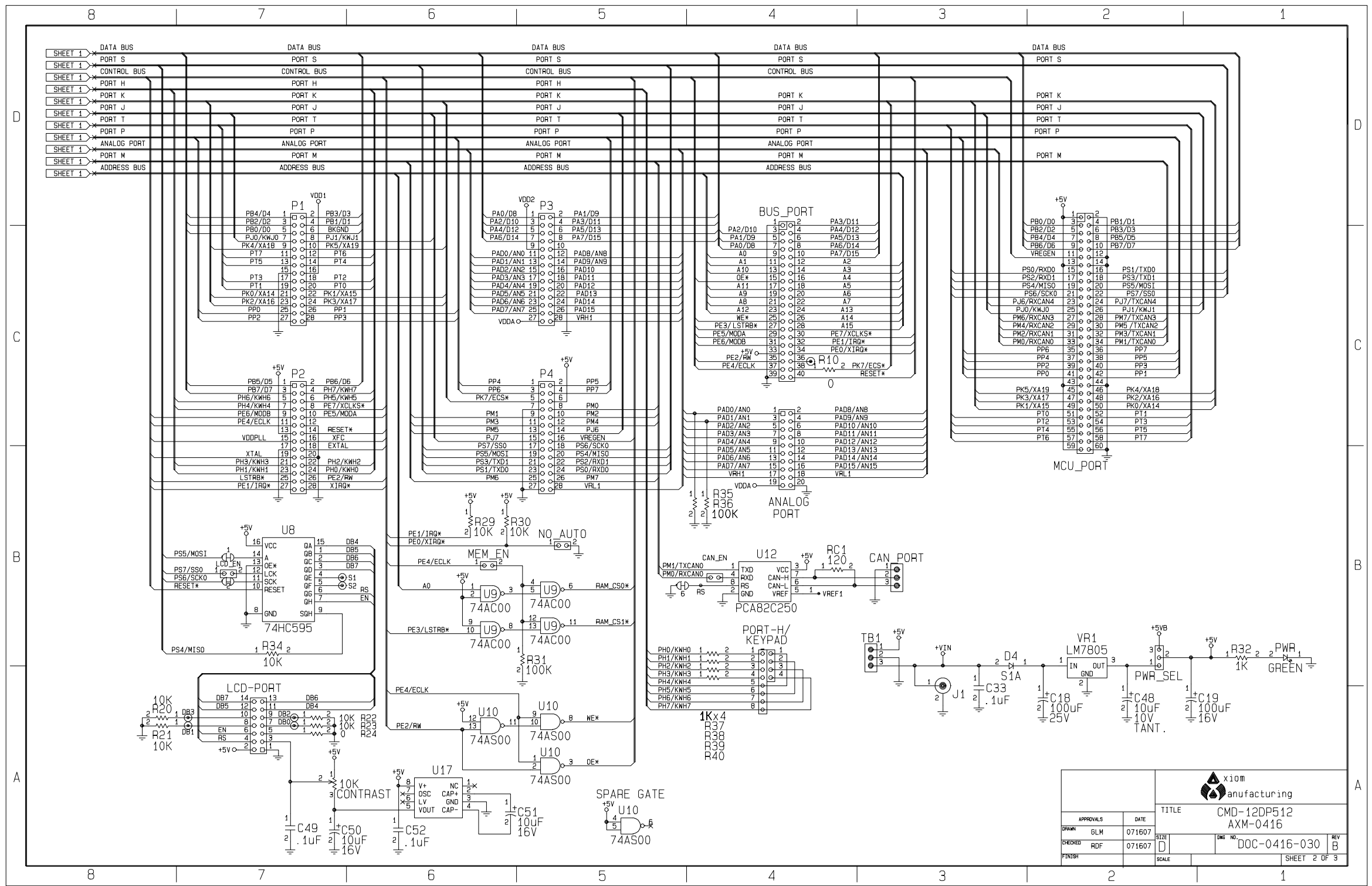
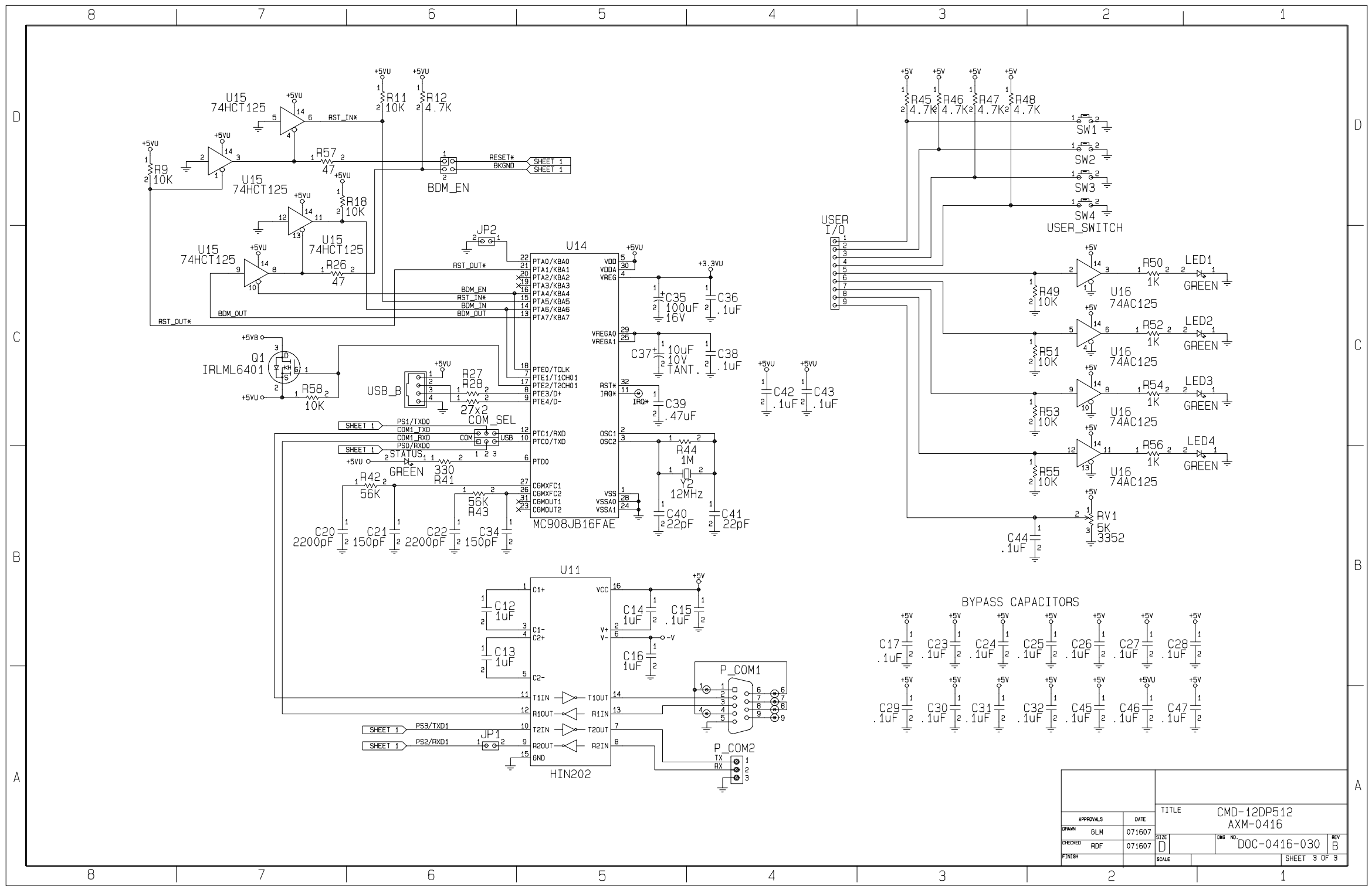


APPROVALS		DATE		TITLE	
DRAWN	GLM	071607		CMD-12DP512 AXM-0416	
CHECKED	RFV	071607	SIZE	DWG. NO.	REV
FINISH			D	DOC-0416-030	B
SCALE		SHEET		1 OF 3	



APPROVALS		DATE		TITLE	
DRWN	GLM	071607		CMD-12DP512 AXM-0416	
CHEKED	RDF	071607	SIZE	DWG. NO.	REV
FINISH			SCALE	DOC-0416-030	B
					SHEET 2 OF 3



APPROVALS		DATE	TITLE	
DRAWN	GLM	071607	CMD-12DP512 AXM-0416	
CHECKED	RDF	071607	SIZE	DWG. NO. DOC-0416-030
FINISH			SCALE	SHEET 3 OF 3