

NOTE
 C48, C49 & C50 MAY NOT
 BE INSTALLED.

SHEET 2

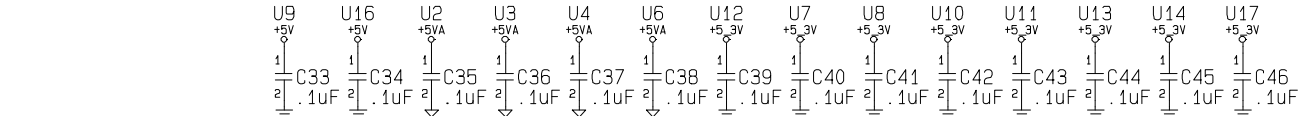
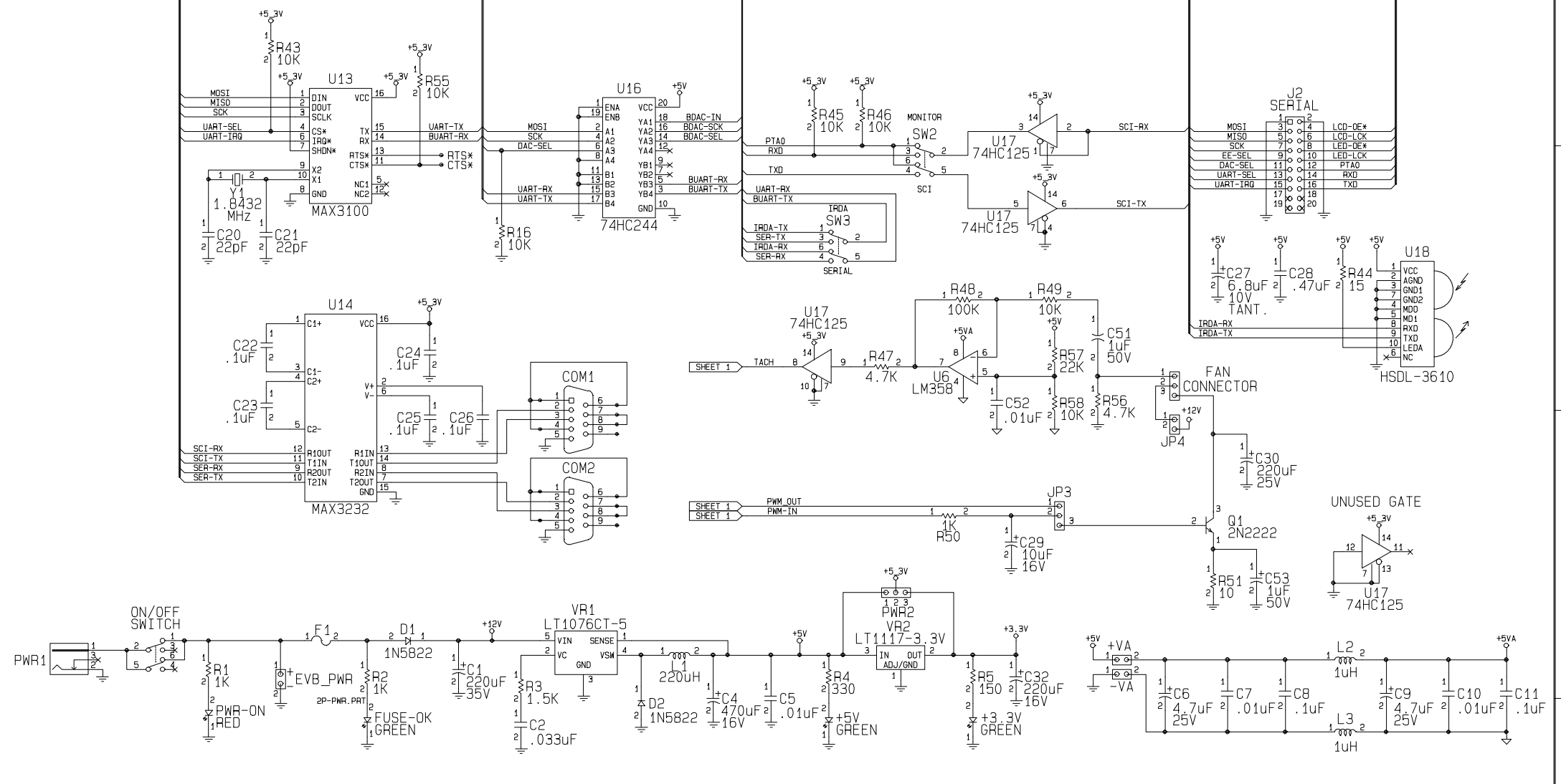
APPROVALS		DATE		TITLE	
DRAWN	GLM	012201		MCU TARGET BRD. (MOT)	
CHECKED	PDF	012201		AXM-0232	
FINISH				SIZE	REV
				DWG NO	AX-SCH-0241
				SCALE	C
					SHEET 1 OF 2

SHEET 1 SERIAL PORT

SERIAL PORT

SERIAL PORT

SERIAL PORT



APPROVALS		DATE	TITLE	
DRAWN	GLM	012201	MCU TARGET BRD. (MOT)	
CHECKED	PDF	012201	AXM-0232	
DESIGNED	DFD		SIZE	DWG NO
FINISH			D	AX-SCH-0241
			SCALE	REV
				C
				SHEET 2 OF 2