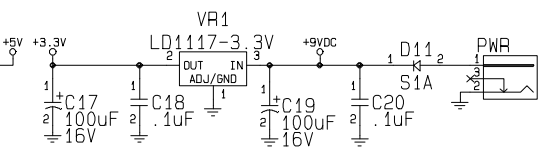
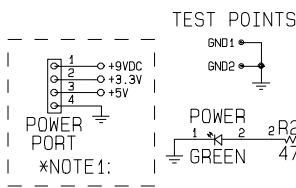


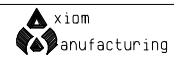
56F8323

PWMA0	3	PWMA0/PA0	SS0*/TXD1	21	SS0*/TXD1/PB0
PWMA1	4	PWMA1/PA1	MISO0/RXD1	22	MISO0/RXD1/PB1
PWMA2	7	PWMA2/SS1*/PA2	MDS10	24	MDS10/PB2
PWMA3	8	PWMA3/MISO1/PA3	SCLK0	25	SCLK0/PB3
PWMA4	9	PWMA4/MDS11/PA4	HOME0	29	HOME0/TA3/PB4
PWMA5	10	PWMA5/SCLK1/PA5	INDEX0	30	INDEX0/TA2/PB5
FAULT0	13	FAULT0/PAB	PHASEB0	54	PHASEB0/TA1/PB6
FAULT1	14	FAULT1/PA7	PHASEA0	52	PHASEA0/TA0/PB7
FAULT2	15	FAULT2/PAB	TC3	63	TC3/PC4
ISA0	16	ISA0/PA9	TC1	64	TC1/RXD0/PC5
ISA1	18	ISA1/PA10	TC0	64	TC0/TXD0/PC5
ISA2	19	ISA2/PA11	ANA0	26	ANA0
			ANA1	27	ANA1
			ANA2	28	ANA2
			ANA3	29	ANA3
			ANA4	30	ANA4
			ANA5	31	ANA5
			ANA6	32	ANA6
			ANA7	33	ANA7
			RESET*	2	RESET*
			IRQA*	12	IRQA*
			TEMP_SENSE	34	TEMP_SENSE
			OCR_DIS	45	OCR_DIS
			TRST*	58	TRST*
			TCK	53	TCK
			TMS	54	TMS
			TDI	55	TDI
			TDO	56	TDO
			XTAL	47	XTAL/PC1
			EXTAL	46	EXTAL/PC0

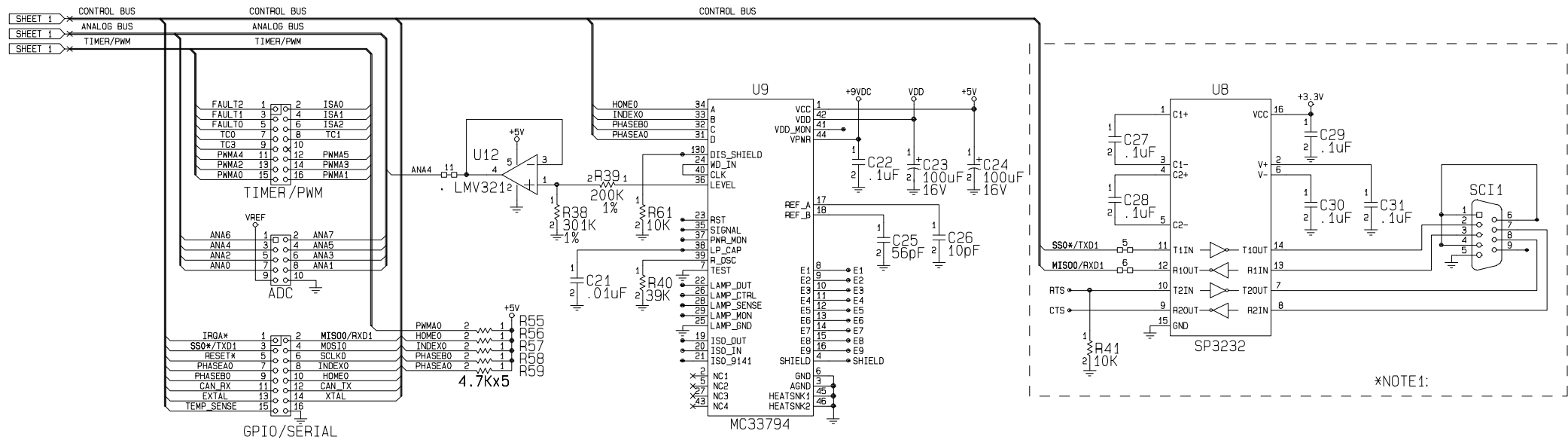
*NOTE1:
COMPONENTS ARE OPTIONAL AND
MAY BE INSTALLED BY THE USER.
BY THE USER.



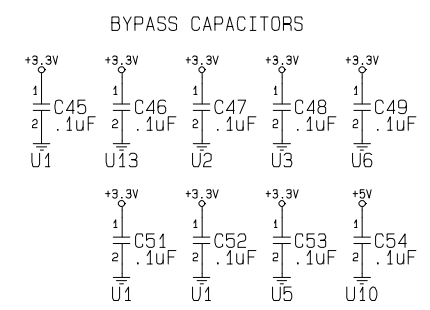
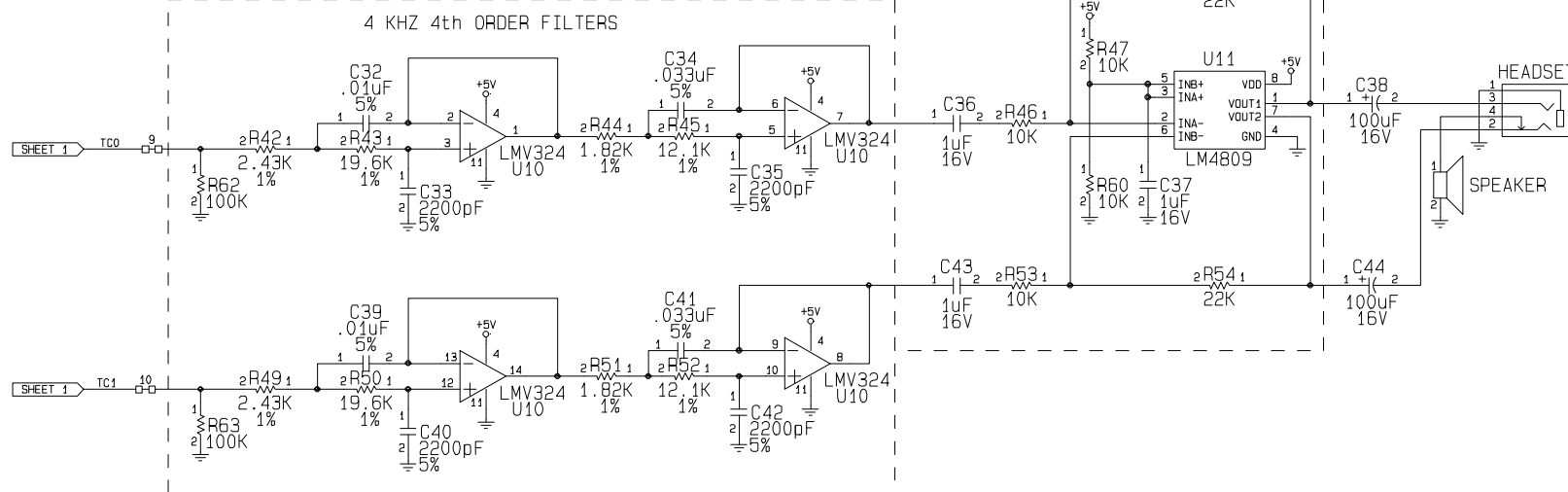
APPROVALS		DATE	SCALE	SHEET 1 OF 2	
DRAM	GLM	072503	SIZE	DWG NO	REV
CHECKED	RDF	072503	D	AX-SCH-0299	C
FINISH					



TITLE
MC56F8300DEMO
AXM-0319



*NOTE1:



		TITLE MC56F8300DEMO AXM-0319	
APPROVALS	DATE	SIZE	REV
GLM	072503	D	C
CHECKED	PDF	072503	AX-SCH-0299
FINISH	SCALE	SHEET 2 OF 2	