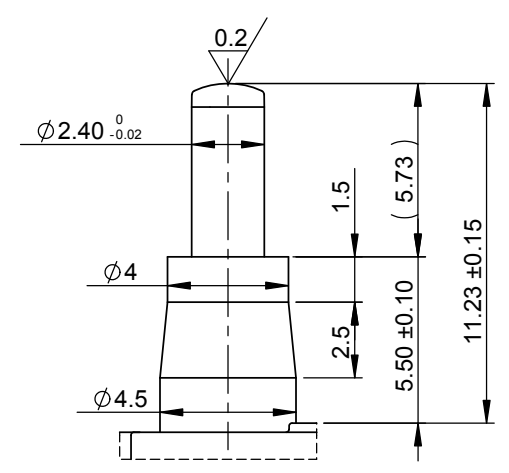
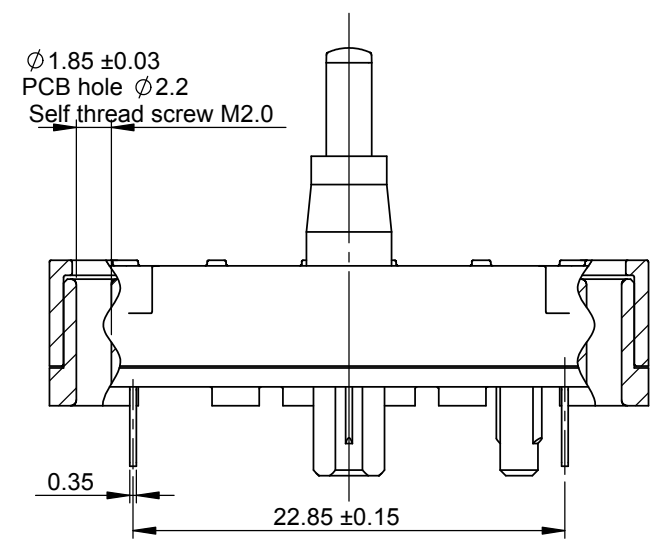
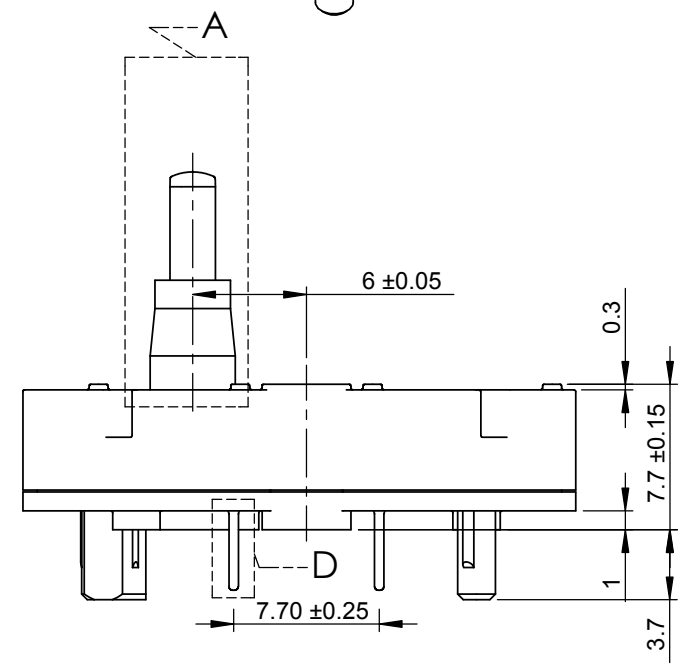


Partial View B  
Scale (6 : 1)

Partial View D  
Scale (10 : 1)



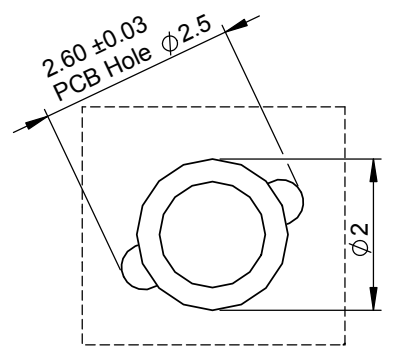
Partial View A  
Scale (4 : 1)

**SPECIFICATIONS:**

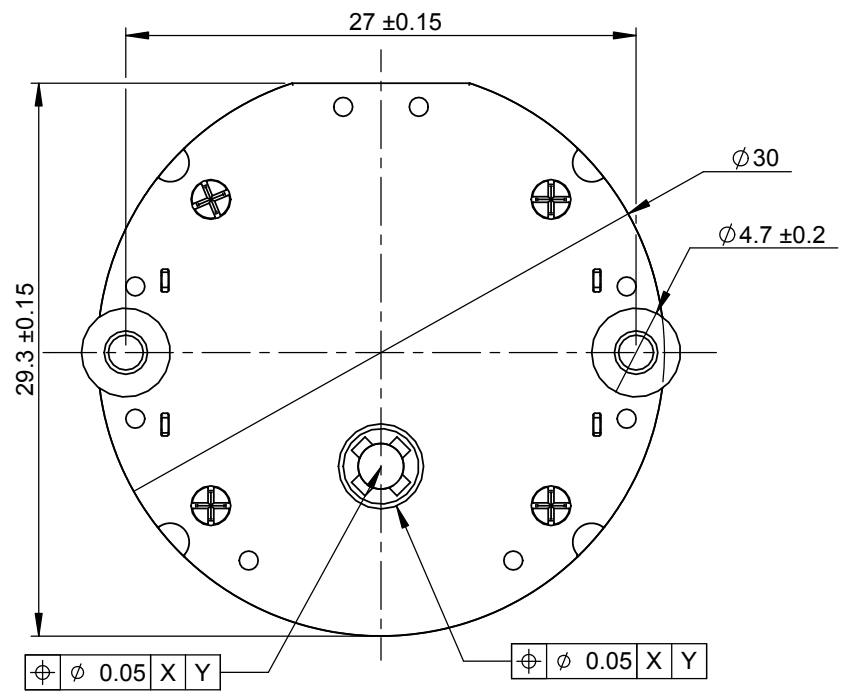
Housing:  
-Material:PC  
-Colour:Black

Shaft:  
-Material:Transparent PC  
-Axialforce(stake-on):100N max  
-Axial pull force:60N max  
-Radial force: 5N max  
-External Torque: 40mNm  
-Rotation Angle: 315° Max

El confaces  
-Material:Copper Alloy  
-Coil:el.resistance 280Ω  
Undim.Radio R0.05~R0.1  
Undim.Chamfered edges 0.3×45°



Partial View C  
Scale (10 : 1)



⊕ Ø 0.05 X Y      ⊕ Ø 0.05 X Y

Drawing No.	VID23-ASM-001-A1	Revision	A/1	Material		Date of Issue	2007-07-26
Product/Part Name	Transparent Shaft Motor	JDE No.	GM6V2300180000L0	Size	A3	Draw by	Lvning
Project Title	VID23 Transparent Shaft Motor	Unit	mm	Approve by			
				Hong Kong VID Company Limited A member of Wellgain Group		Tolerance unless specified Dimension in mm x.x = +/- 0.10    x.xx = +/- 0.03 Angle in degree x.x = +/- 1°    x.xx = +/- 0.5°	