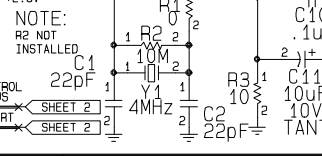


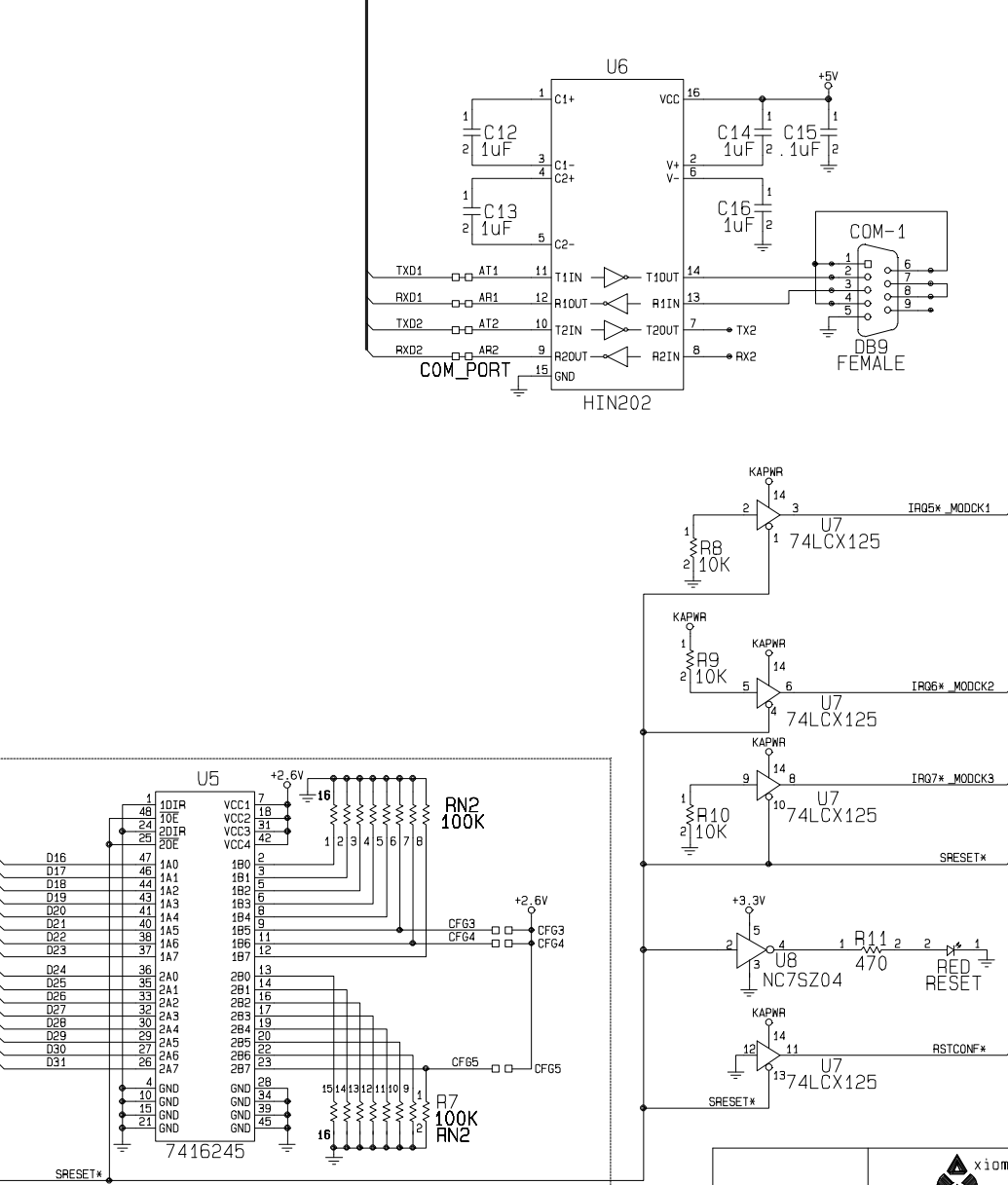
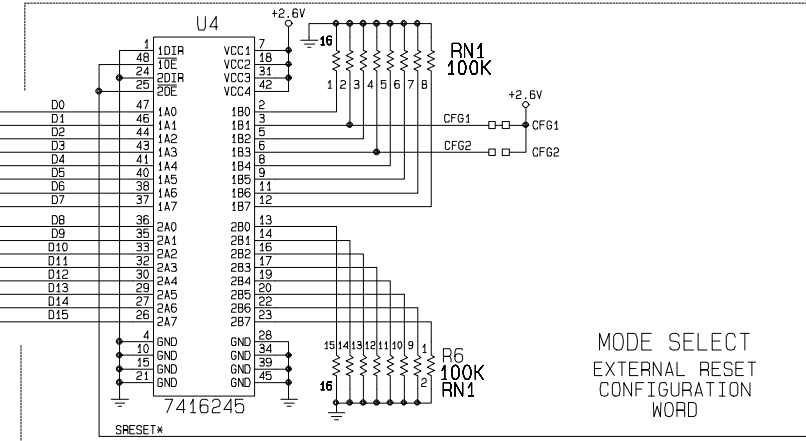
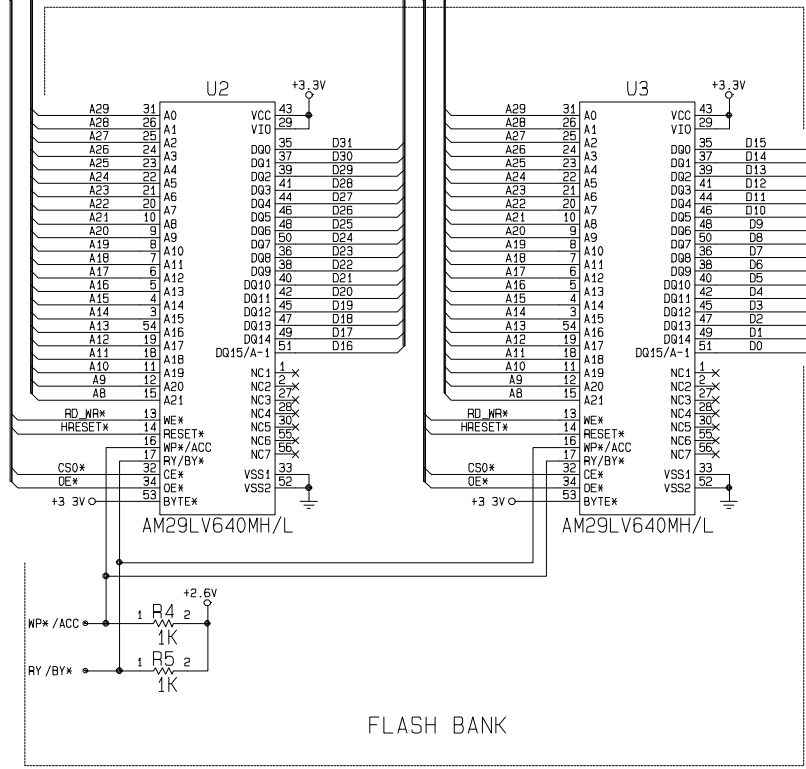
U1 MPC562_CPU

Xiom manufacturing
 TITLE: MPC562BC AXM-0297
 APPROVALS: GLM DATE: 101802 SIZE: D DWG. NO.: AX-SCH-0285 REV: B
 CHECKED: RDF DATE: 101802 SCALE: SHEET 1 OF 4

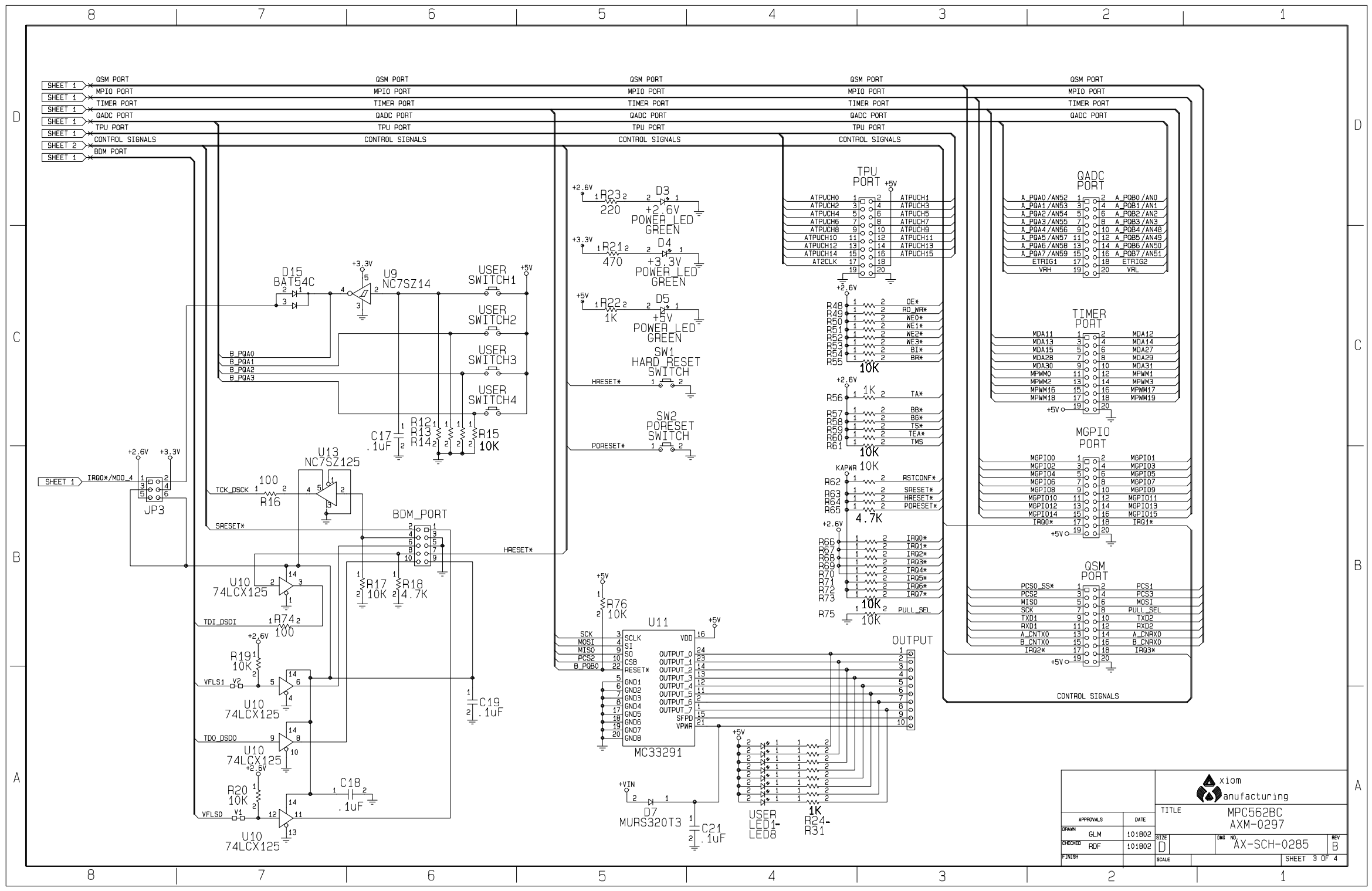
NOTE:
R2 NOT INSTALLED



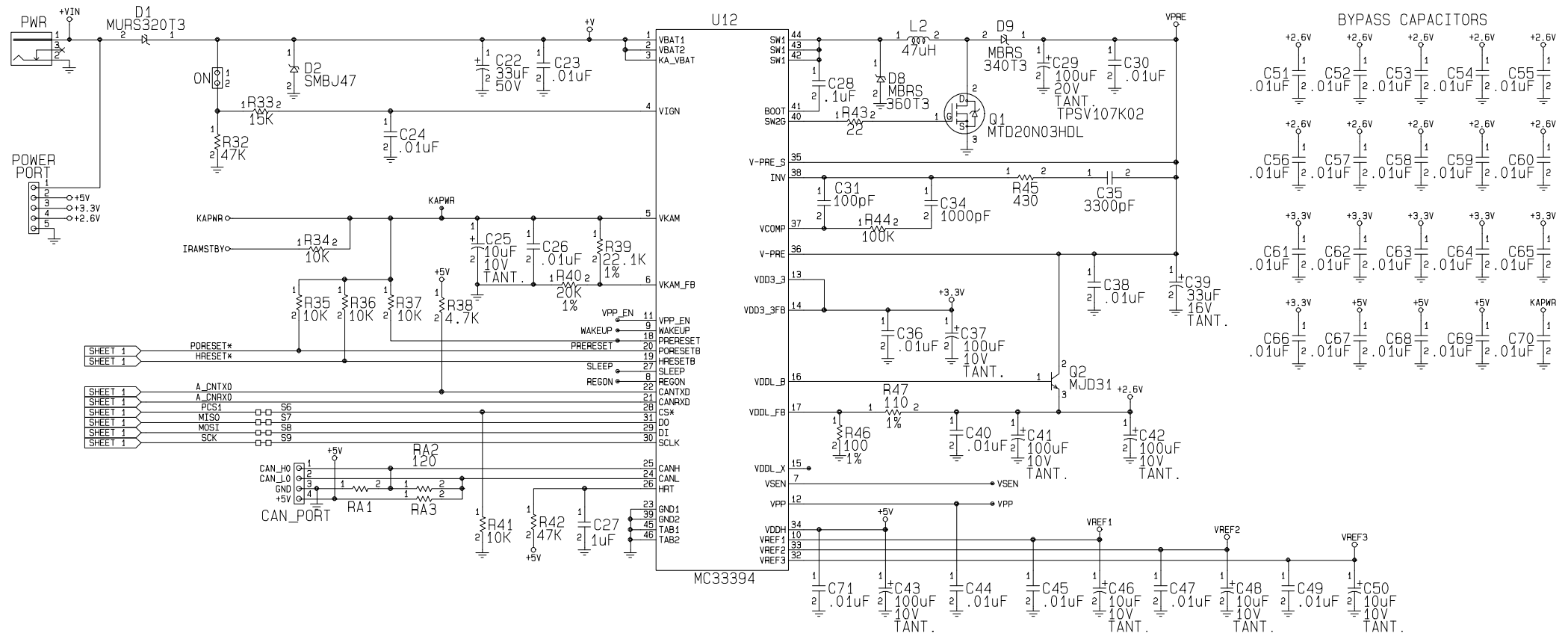
SHEET 2 BDM PORT
 SHEET 2 TOUCAN PORT
 SHEET 2 IRQ PORT

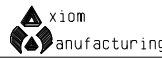


APPROVALS		DATE		TITLE	
DRAWN GLM		101802		MPC562BC AXM-0297	
CHECKED RDF		101802		DWG. NO. AX-SCH-0285	
FINISH		SCALE		REV B	
				SHEET 2 OF 4	



APPROVALS		DATE		TITLE	
DRWN	GLM	101802		MPC562BC AXM-0297	
CHEKED	RDF	101802		SIZE	D
FINISH		SCALE		DWG. NO.	AX-SCH-0285
				REV	B
					SHEET 3 OF 4



			
		TITLE MPC562BC AXM-0297	
APPROVALS	DATE	SIZE	DWG NO.
DRAWN GLM	101802	D	AX-SCH-0285
CHECKED RDF	101802		REV B
FINISH		SCALE	SHEET 4 OF 4