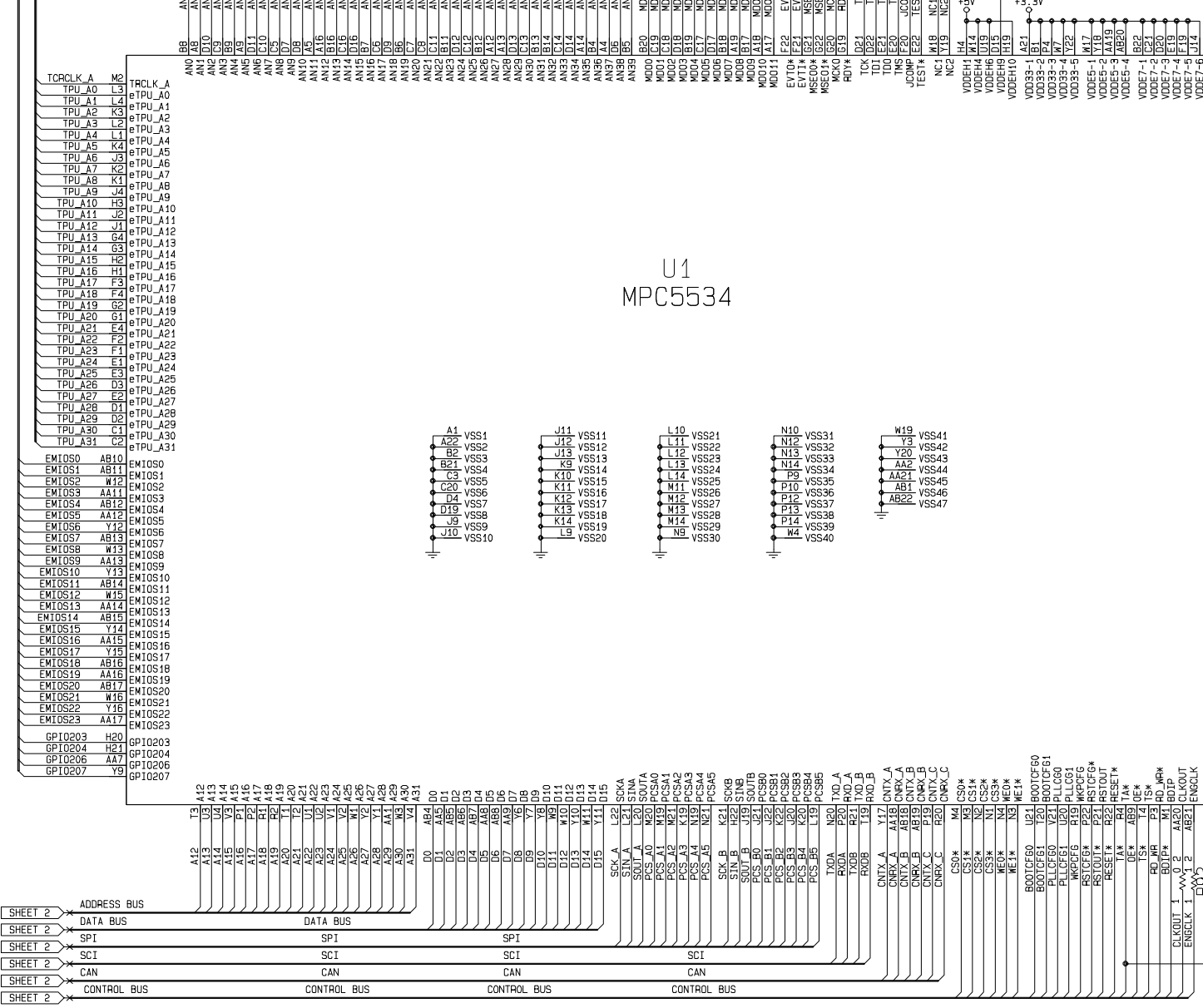


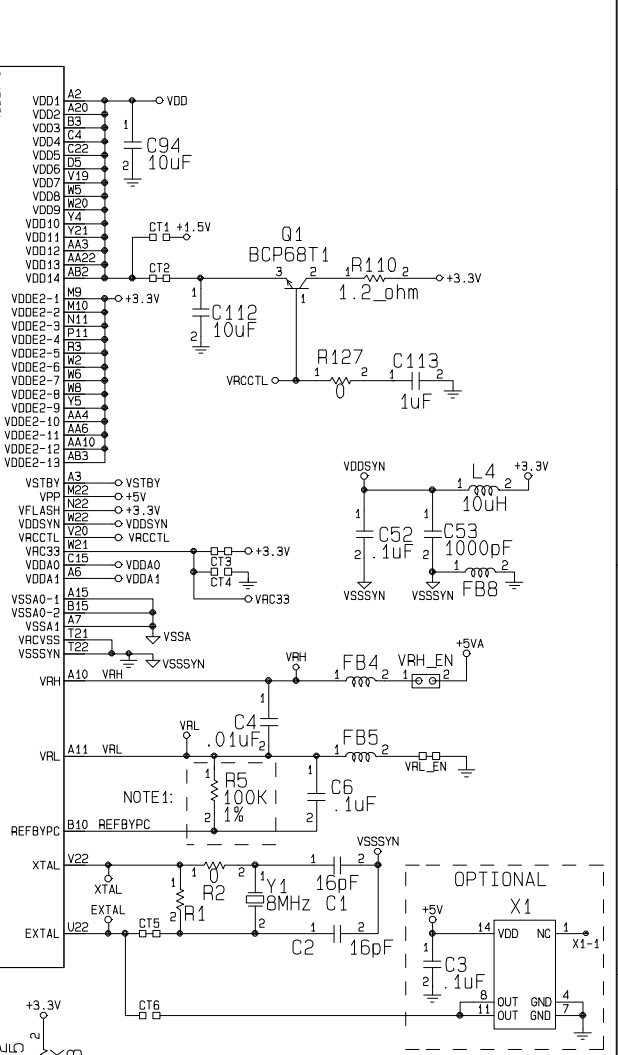
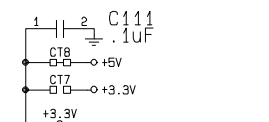
SHEET 2 JTAG
SHEET 2 NEXUS
SHEET 2 QADC
SHEET 2 TPU_A
SHEET 2 MTS_GPIO

8 7 6 5 4 3 2 1

ADDRESS BUS
DATA BUS
SPI
SCI
CAN
CONTROL BUS

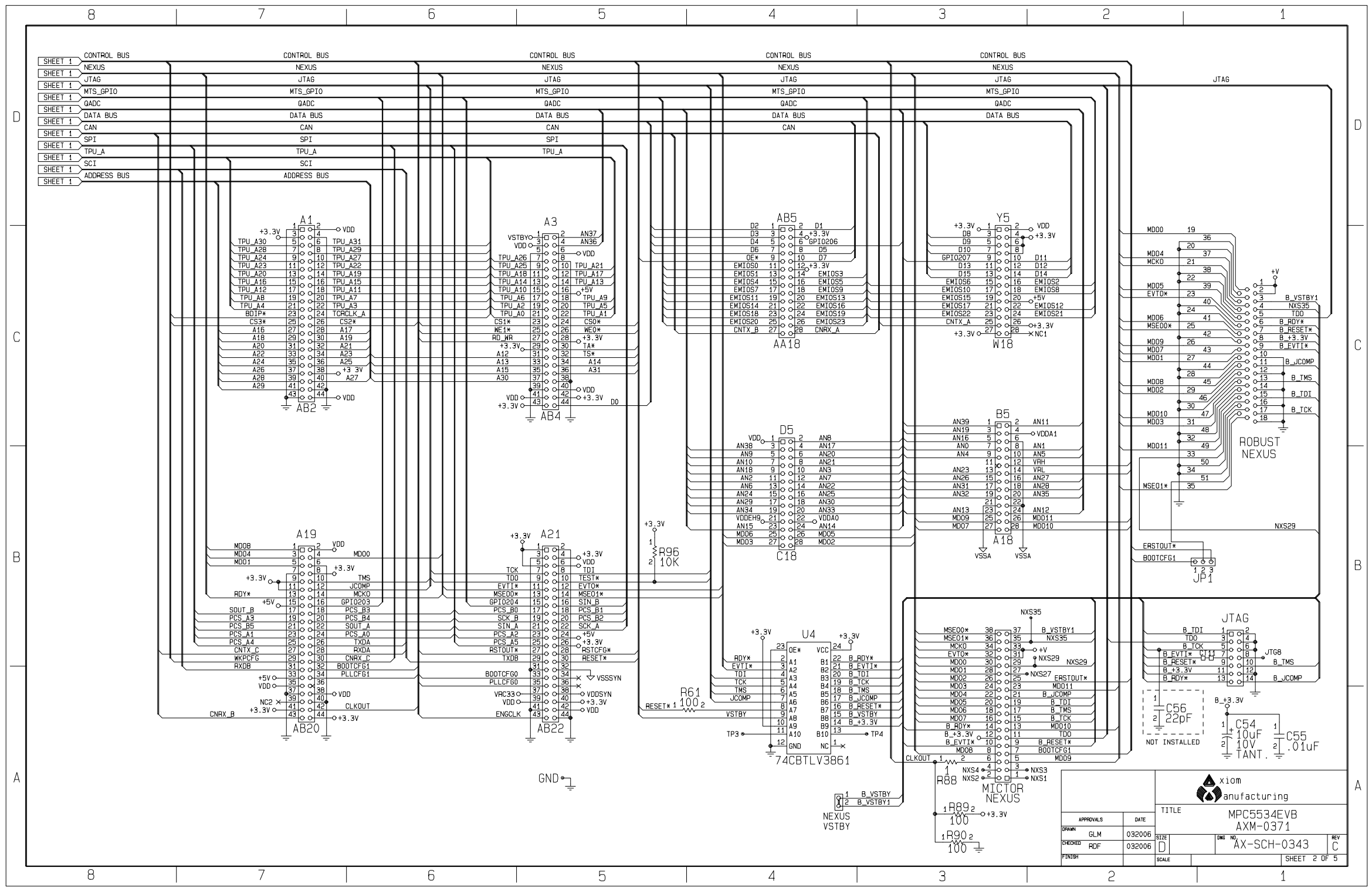


U1
MPC5534

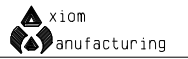


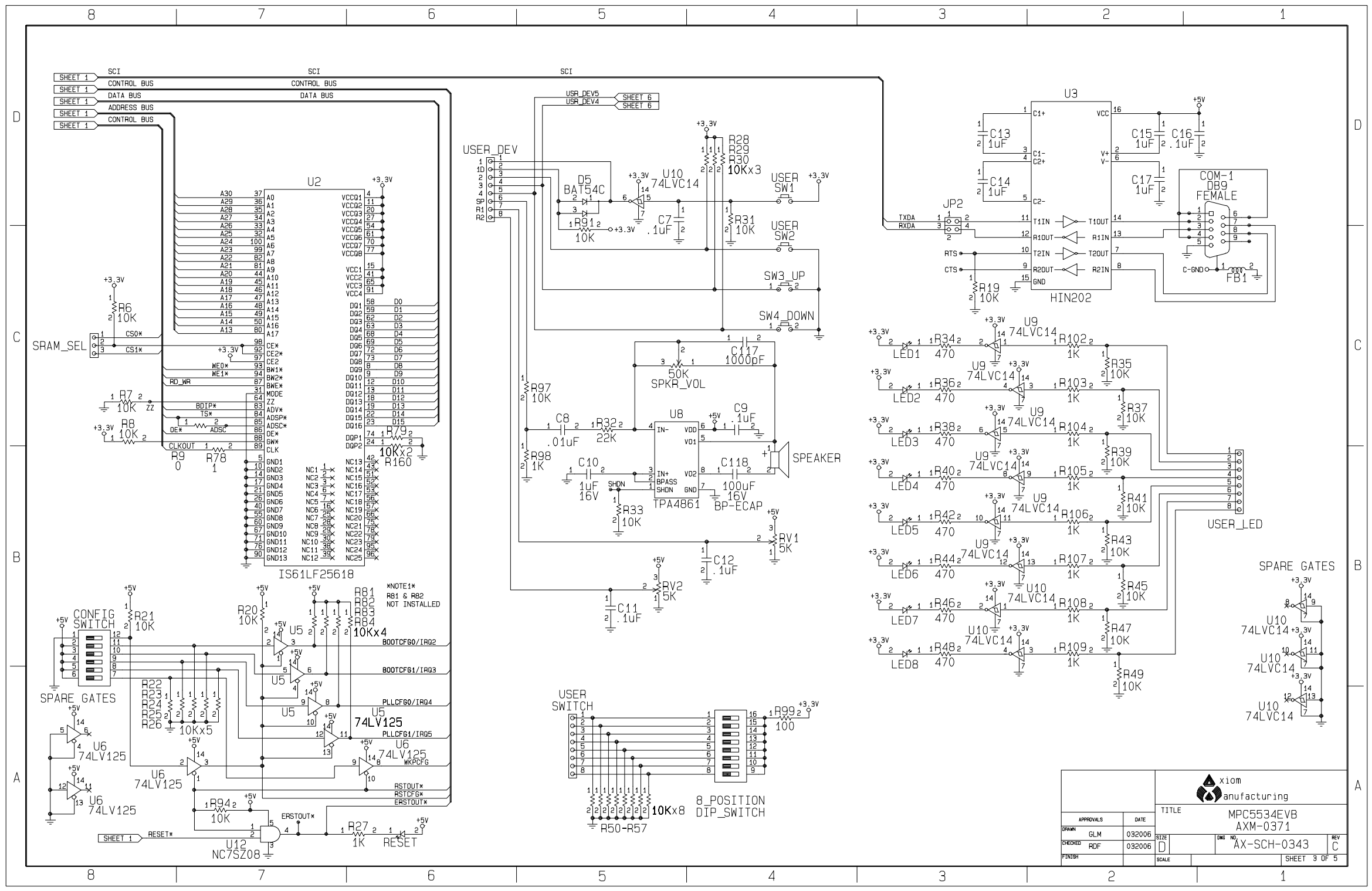
NOTE1: NOT INSTALLED

APPROVALS		DATE		TITLE	
DRAWN	GLM	032006		MPC5534EVB AXM-0371	
CHECKED	RDF	032006		REV	C
FINISH				SCALE	
DWG. NO.			AX-SCH-0343	SHEET 1 OF 5	

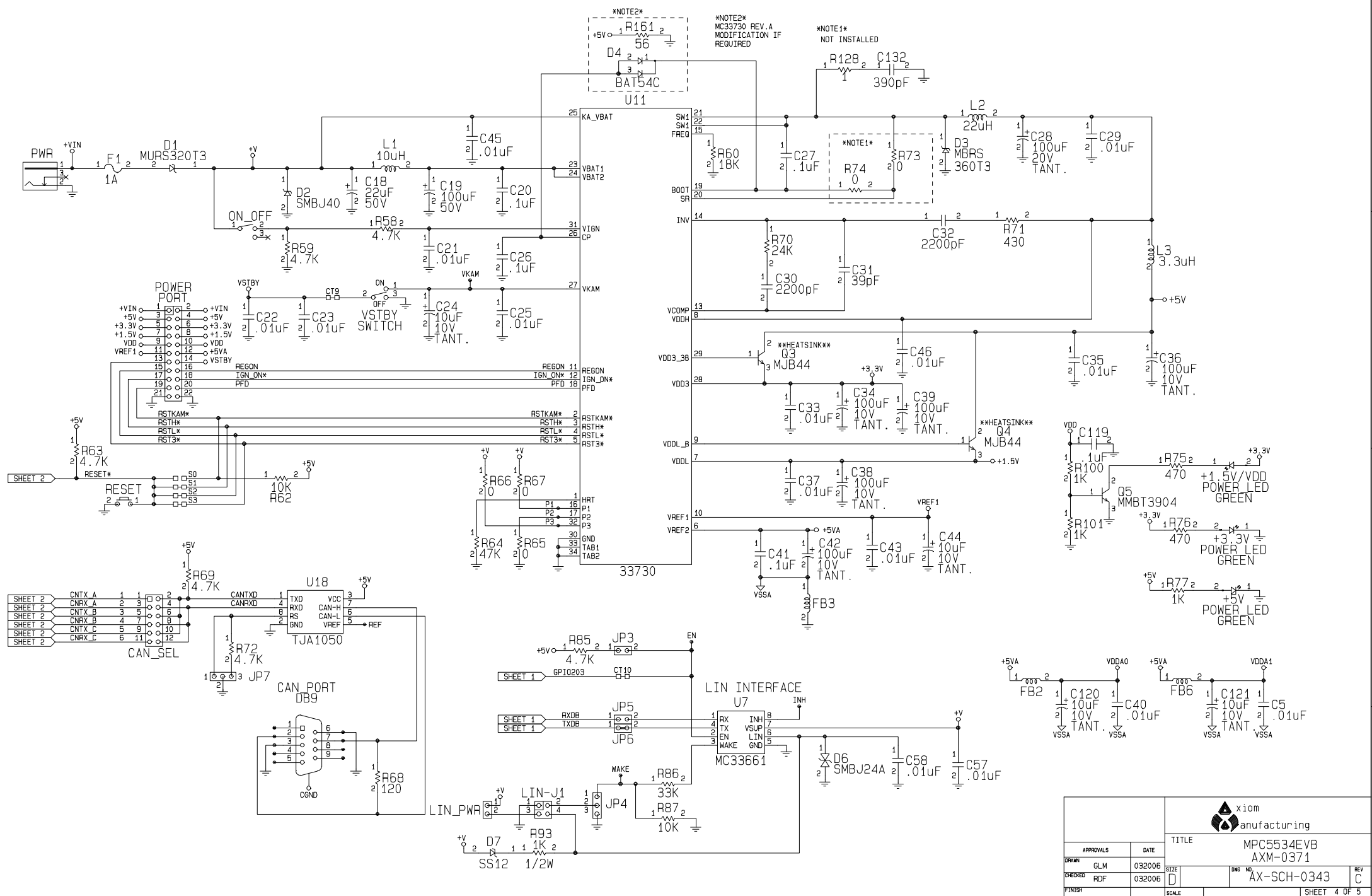


APPROVALS		DATE		TITLE	
GLM		032006		MPC5534EVb AXM-0371	
CHECKED	RDF	032006	SIZE	DWG. NO.	AX-SCH-0343
FINISH			SCALE		
					SHEET 2 OF 5

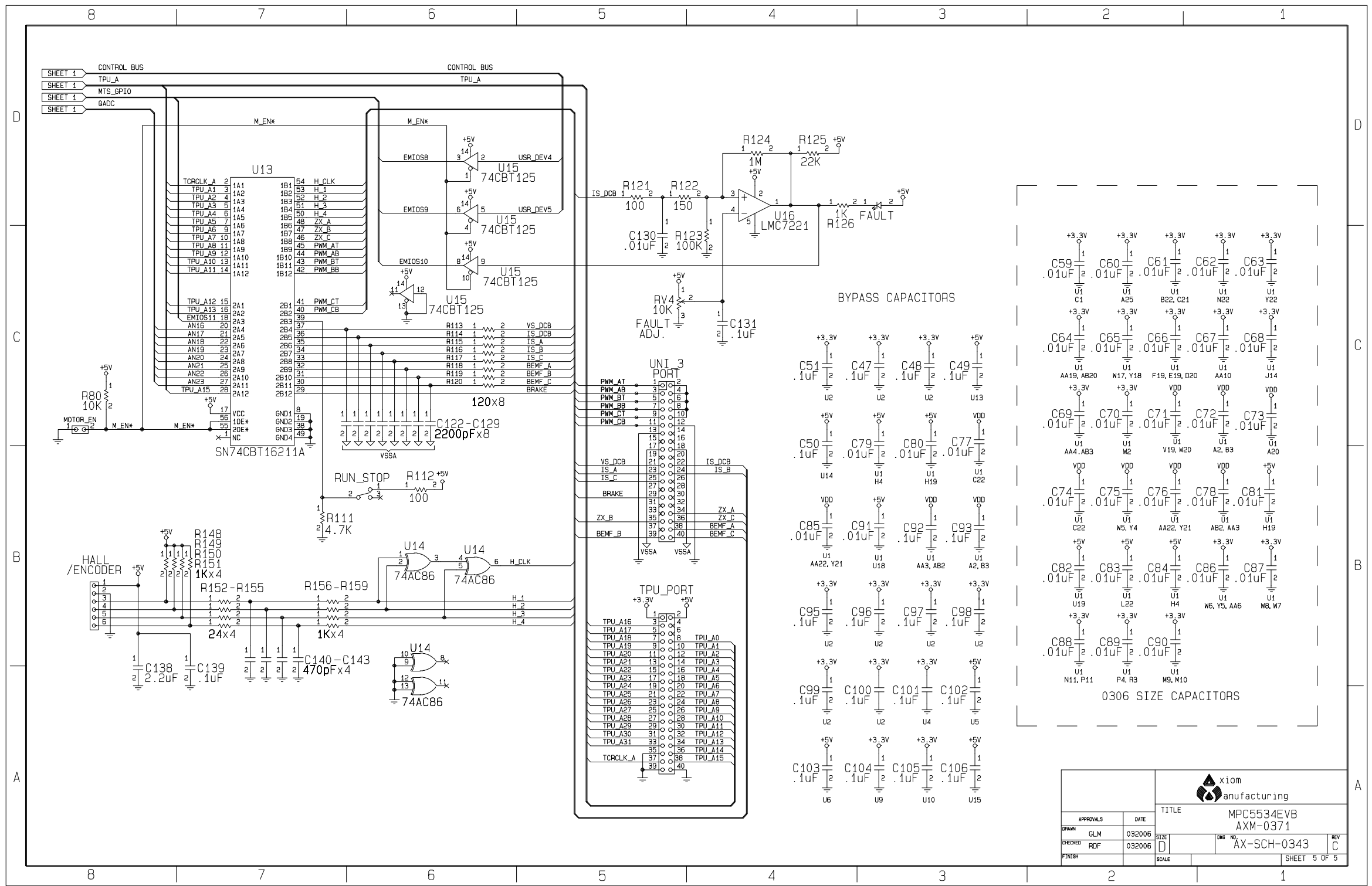




APPROVALS		DATE	TITLE	
GLM	RDF	032006	MPC5534EVb AXM-0371	
FINISH	SCALE	SIZE	DWG. NO.	REV
		D	AX-SCH-0343	C
			SHEET 3 OF 5	



APPROVALS		DATE	TITLE	
DRWN	GLM	032006	MPC5534EVb AXM-0371	
CHEKED	RDF	032006	SIZE	DWG NO.
FINISH			SCALE	AX-SCH-0343
			SHEET	4 OF 5



APPROVALS		DATE	TITLE	
DRWN	GLM	032006	MPC5534EVb AXM-0371	
CHECKED	RDF	032006	SIZE	DWG. NO.
FINISH			SCALE	AX-SCH-0343
				REV
				C
				SHEET 5 OF 5