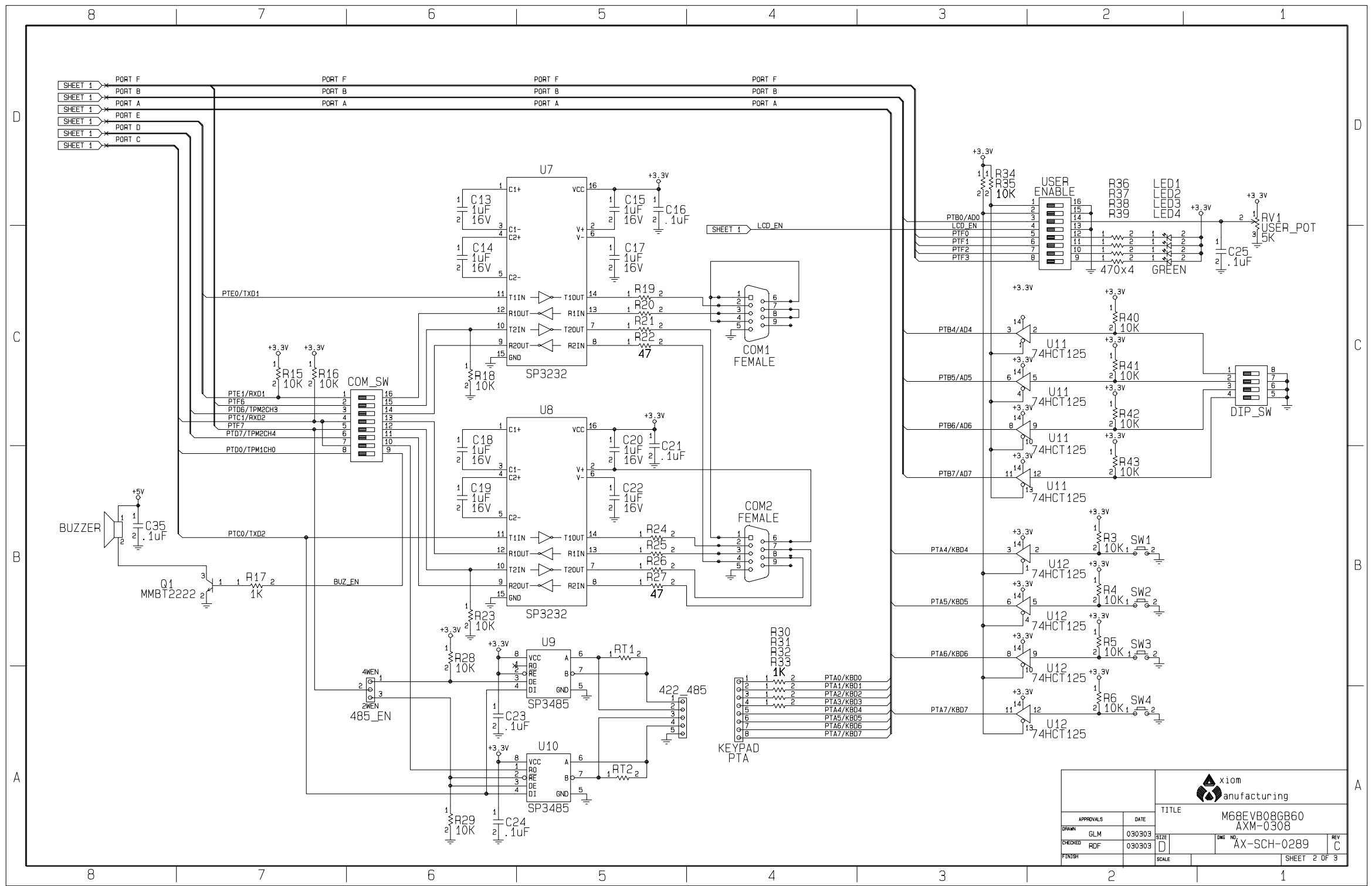
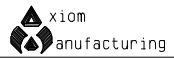
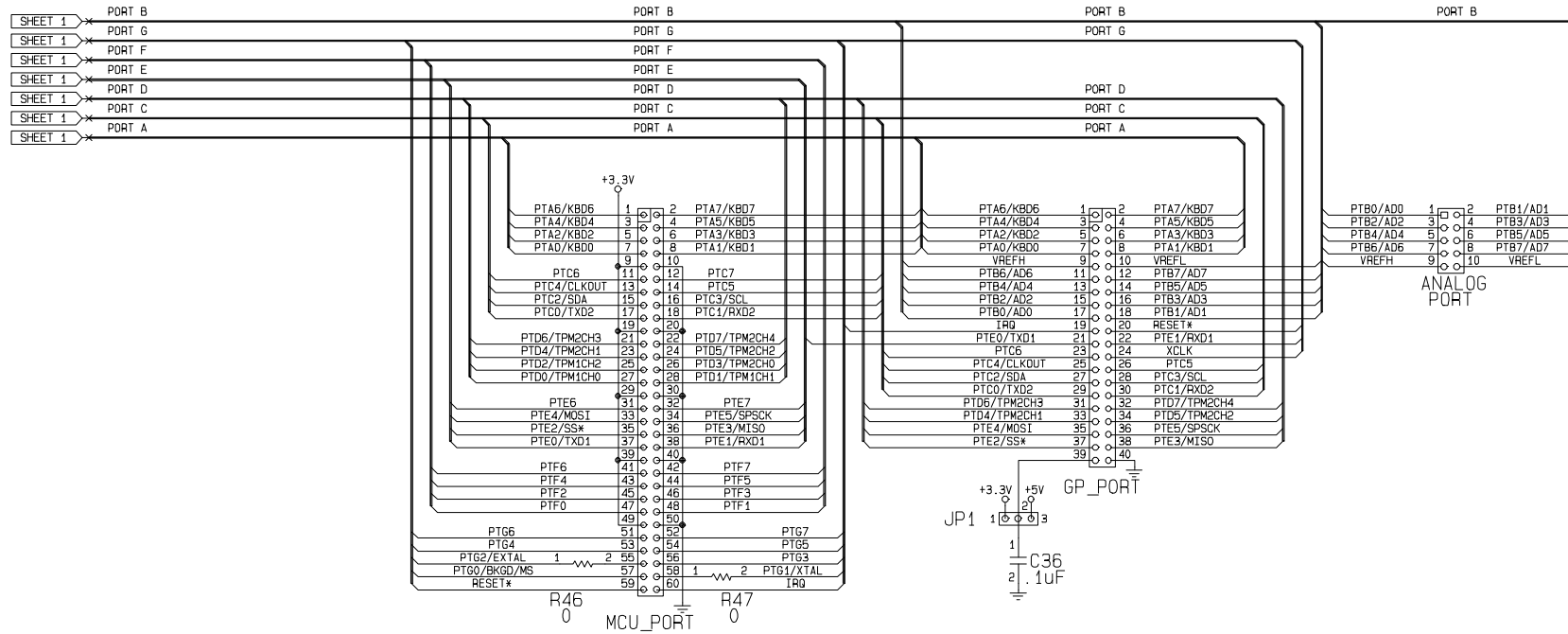


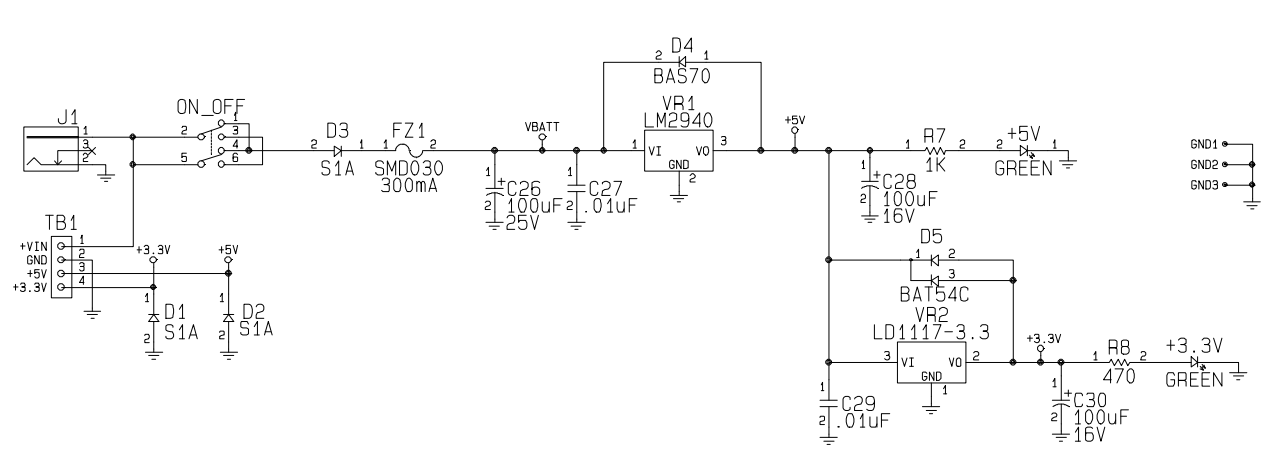
APPROVALS		DATE	TITLE	
DRAWN	GLM	030303	M68EVB08GB60 AXM-0308	
CHECKED	RDF	030303	SIZE	DWG NO.
FINISH			SCALE	AX-SCH-0289
			SHEET	REV
			1 OF 3	C



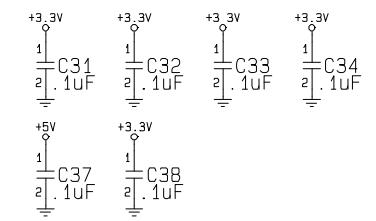
			
		<b>TITLE</b> M68EV08GB60 AXM-0308	
APPROVALS	DATE	SIZE	DWG. NO.
GLM	030303	D	AX-SCH-0289
CHECKED	RDF	SCALE	REV
RDF	030303		C
			SHEET 2 OF 3



NOTE:  
R46 AND R47 ARE OPEN BY DEFAULT  
FOR CRYSTAL OSCILLATOR USE OF PTG1 AND PTG2



BYPASS CAPACITORS



APPROVALS		DATE	TITLE	
DRWN	GLM	030303	M68EVB08GB60 AXM-0308	
CHECKED	RDF	030303	SIZE	DWG NO.
FINISH			SCALE	REV
				C
			SHEET 3 OF 3	