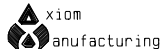
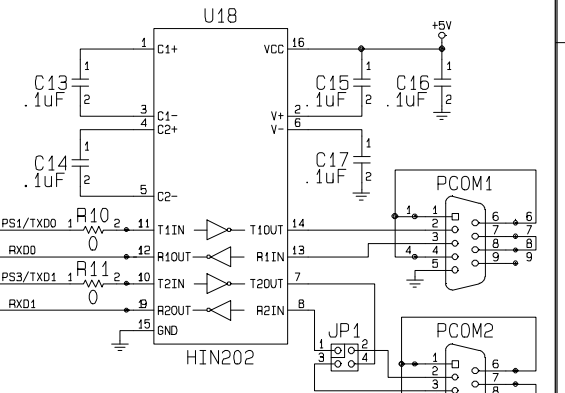
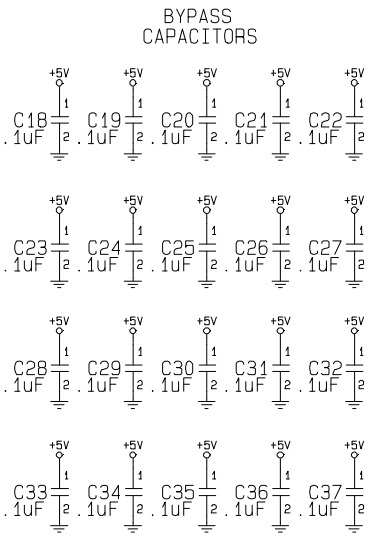
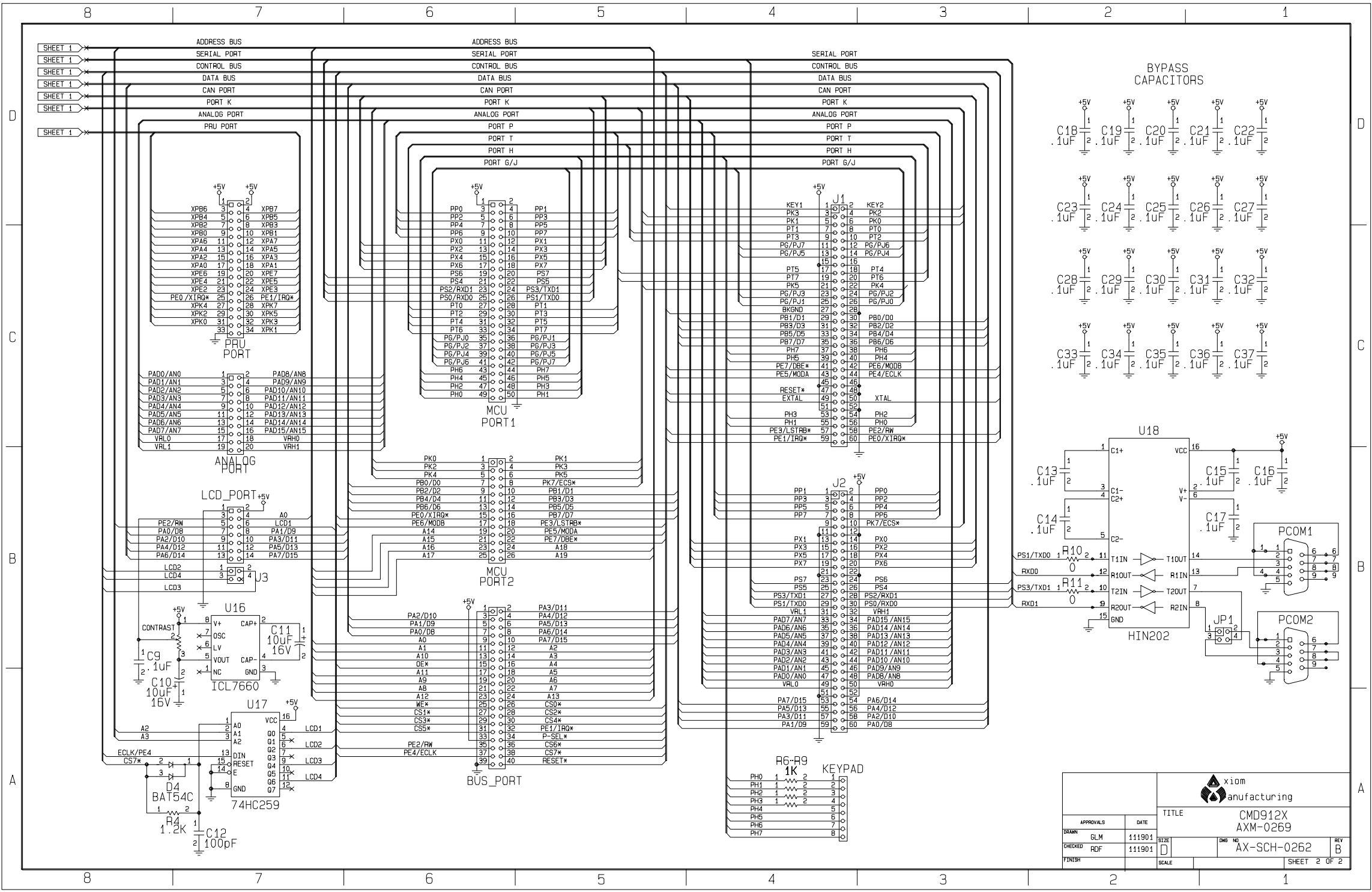


APPROVALS		DATE		TITLE	
DRAWN	GLM	111901		CMD912X AXM-0269	
CHECKED	PDF	111901		SIZE	D
DRAWN NO				REV	
AX-SCH-0262				B	
SCALE				SHEET 1 OF 2	

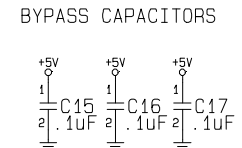
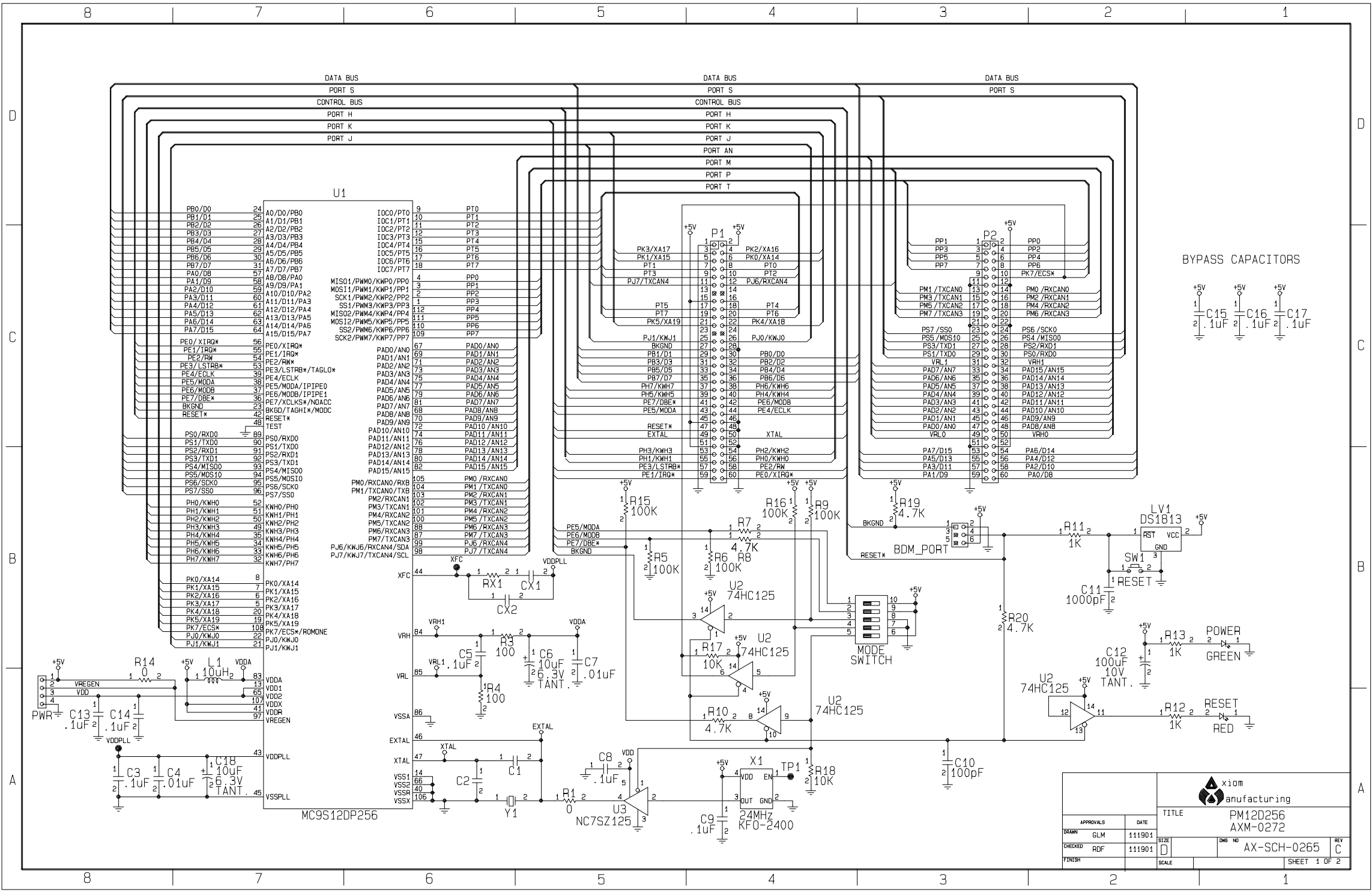


Xiom Manufacturing  
TITLE: CMD912X AXM-0269

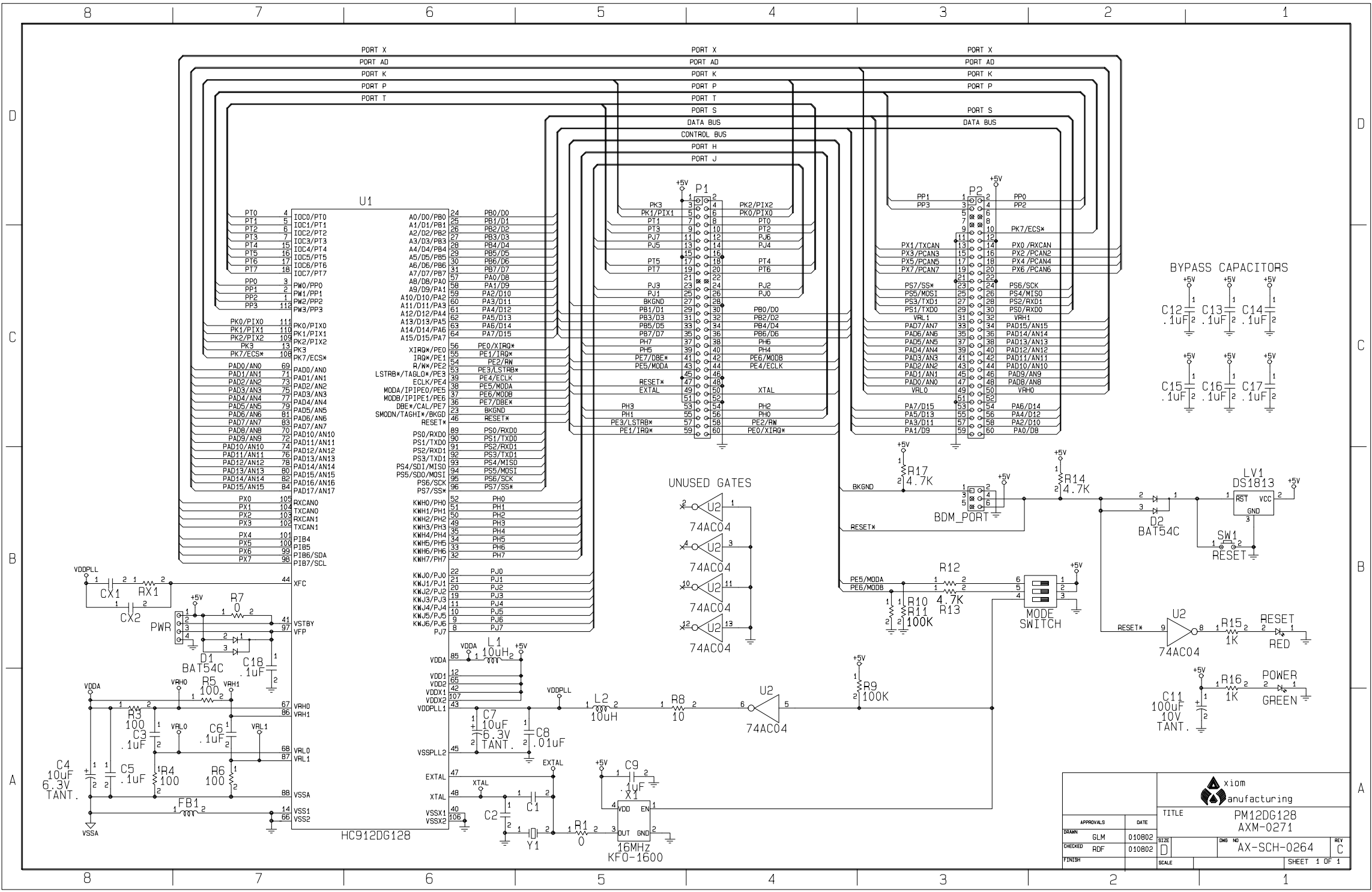
AX-SCH-0262  
SHEET 1 OF 2



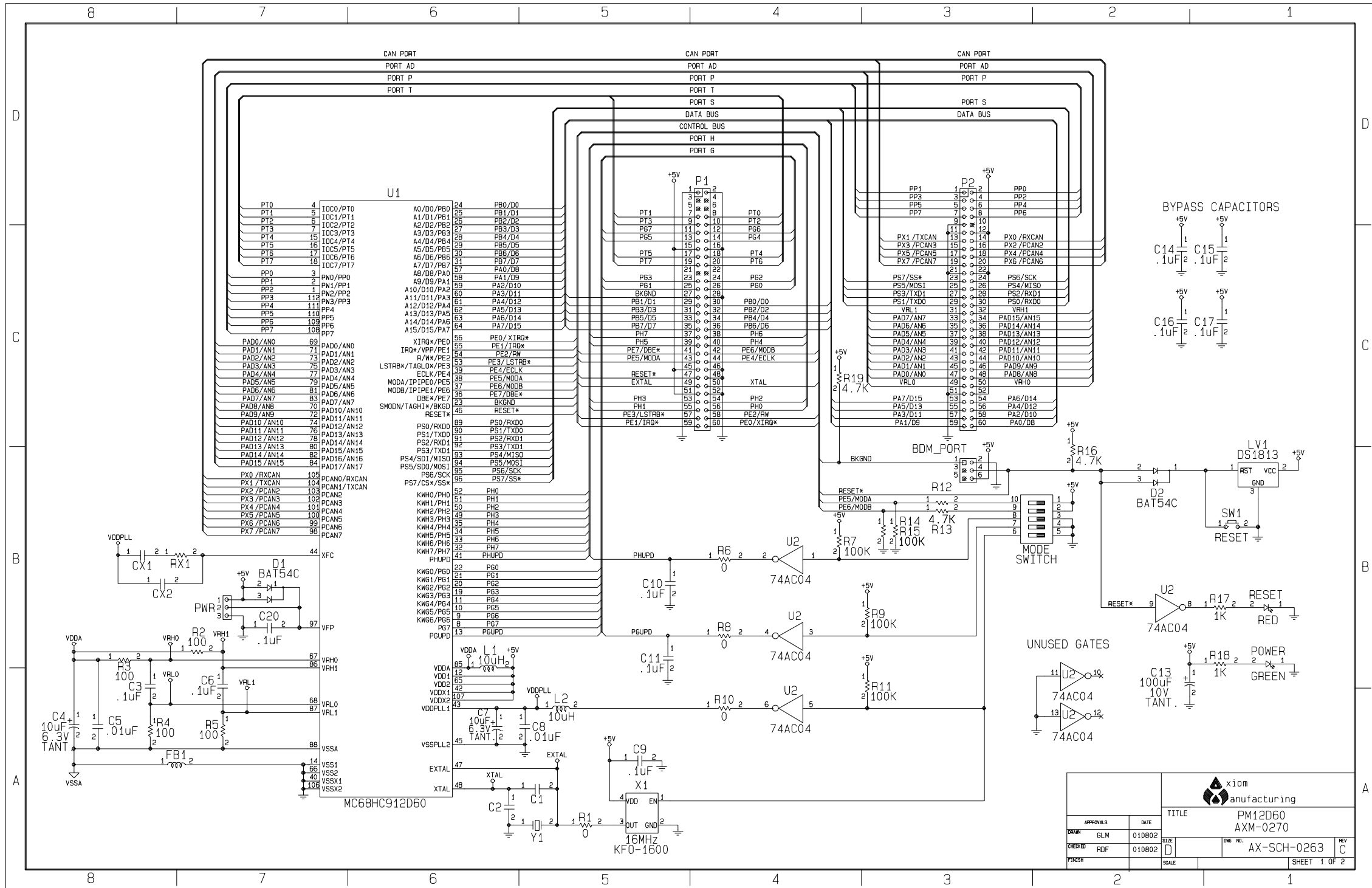
APPROVALS		DATE		TITLE	
DRAWN	GLM	111901	SIZE	CMD912X	
CHECKED	PDF	111901	DWG NO	AXM-0269	
FINISH	SCALE			SHEET	2 OF 2



APPROVALS		DATE		TITLE	
DRAWN	GLM	111901		PM12D256	
CHECKED	PDF	111901		AXM-0272	
FTNSH		SCALE		DWG NO	REV
				AX-SCH-0265	C
				SHEET 1 OF 2	



APPROVALS		DATE	TITLE	
DRAWN	GLM	010802	PM12DG128 AXM-0271	
CHECKED	PDF	010802	SIZE	DWG NO
FINISH			SCALE	AX-SCH-0264
				REV C
				SHEET 1 OF 1



APPROVALS		DATE		TITLE	
DRAWN	GLM	010802		PM12D60 AXM-0270	
CHECKED	PDF	010802		SIZE	D
FINISH				DWG. NO.	AX-SCH-0263
				SCALE	
				REV	C
				SHEET	1 OF 2